

MADE IN GERMANY

Since 1980

baumeister

baumeister & schack GmbH & Co. KG

Electrifying Ideas!

■ **INTRODUCTION**

Background

Contacts/references

Guidelines

CE Certification

■ **Telescopic pillars**

■ **Sliding carriage lifters**

■ **Electric actuators**

■ **Gear Motors**

■ **Accessories**

Company profile

The Company

The company was founded by Dipl.Ing Karlheinz Baumeister in 1980 and over a 30 year period has been principally involved with the development and manufacture of DC motor powered drive systems.

The offices and manufacturing operations are located in a 4500m² facility in the village of Balingen-Ostdorf, about one hours drive from Stuttgart in Germany.

baumeister + schack GmbH & Co KG manufactures a range of standard and customer specific electric actuation products for many applications in the automotive, medical, machine tool and furniture industries. Baumeister is well know throughout Europe for innovative design and high quality production.

When other manufacturers run out of ideas we will have only just started. This we would like to prove to you.

Company History:

- 1980 First products developed for automotive and motorcycle industry.
- 1982 Construction of first factory in Balingen-Ostdorf
- 1983 First patents taken out for hydraulic controlled automotive drives.
- 1985 Development of motorised and electronic control systems for convertible top.
Licences issued to BMW, Audi, Porsche, Gemballa and VW.
- 1990 Purchase of land and new 3000m² factory.
Development of products for medical equipment and office furniture.
- 2000 Factory extension and showroom construction, total area now 4500m²
- 2001 Change to company structure as Baumeister GmbH & Co KG
- 2005 New product developments and product registration for massage device for wellness and medical applications.
- 2009 New product developments and patent registration for Koaxdrive and Koaxtube actuators. New lifter series T 175 and TR 126 introduced.
- 2010 Reorganization of the company. Jens Baumeister and Rainer Schack took over the business from Karlheinz Baumeister.
- 2011 Introduction of new industrial lifter Hexalift

Contacts/ Customer list

Contacts:

Switchboard		(0 74 33) 14 56-0	info@baumeister-balingen.de
Management	Rainer Schack, Dipl.-Ing (BA)	(0 74 33) 14 56-12	schack@baumeister-balingen.de
Management	Jens Baumeister, Dipl.-Ing. (FH)	(0 74 33) 14 56-16	jb@baumeister-balingen.de
Expediting	Edith Sommer	(0 74 33) 14 56-11	sommer@baumeister-balingen.de
Purchasing	Thorsten Schemminger	(0 74 33) 14 56-32	schemminger@baumeister-balingen.de
Accounts	Monika Baumeister	(0 74 33) 14 56-13	mb@baumeister-balingen.de
Electronics/Controls	Ottmar Hansel	(0 74 33) 14 56-15	hansel@baumeister-balingen.de
CAD Design Dept.	Tobias Baumeister	(0 74 33) 14 56-33	tb@baumeister-balingen.de
	Stefan Wager	(0 74 33) 14 56-25	wager@baumeister-balingen.de
	Fax	(0 74 33) 14 56-51	
Prototyping/Testing	Thomas Frey	(0 74 33) 14 56-19	frey@baumeister-balingen.de
Production	Wolfgang Beck	(0 74 33) 14 56-18	beck@baumeister-balingen.de
Production	Frank Löffler	(0 74 33) 14 56-17	loeffler@baumeister-balingen.de
Fax		(0 74 33) 14 56-50	

Customer list (Extract)

Alvaris
Anamed
Assmann
Asstec
Audi
Rolf Benz
BOS
Bosch/Rexroth
BMW
Brose
Daimler Benz
Dauphin
DFS Flugsicherung
Dräger
DuBa
Ebm Pabst
Ersa
Frei
Greiner
GWM Matrei
Heinen + Löwenstein
Hülsta
Hymer

Ideal
Interstuhl
Kendro
Kim Stahlmöbel
König + Neurath
Liebherr
Linde
Martin
Media Screen
Meneghetti
Merwag
Nick
Opel
Panhans
Porsche
Remis
Rittal
Schneider Electric
Siemens
Sirona Dental
Sitag
Sortimo
Storopack
Thermo Fischer

Veyhl
Vitra
Völker AG
Walter Knoll
Welonda / Kiela
Wini
Zeiss

**MADE IN
GERMANY**

Appendix

C.E. Marking and manufacturer declaration in accordance with E.U. guidelines.

In accordance with EU guidelines, all electric motor driven machines, equipment and systems, which are manufactured, imported or marketed in the European Community area are to be provided with CE marking. The EU guidelines include the following rules relevant to users of electric motors.

1) Machine guidelines

These apply to independent operating machines or groups of machines, or complete installations. They do not apply to individual components such as the electric control of motors, which cannot operate independently. Only complete machines or installations are applicable to this ruling.

2) Low voltage guidelines

This applies for all electric motors operating on a supply of equal to and above 75V DC (direct current) or 50V AC (alternating current).

All our motors are intended for operation under max. 38V DC and therefore fall outside this ruling.

3) EMC Guidelines

This guideline applies to electrical and electronic, as well as non-electronic devices, equipment, plant and systems. This ruling applies also to complex components such as electric motors, but only if these are generally available to the public. Our components are supplied only to manufacturers as parts or spare parts and according to section 5, paragraph 5 of the EMC ruling, do not require a CE marking.

The EN 55014 of the EMC ruling specifies maximum values for high frequency radiation. As a consequence of the above, the EMC ruling does not apply to our range of electrical components.

4) Complete products

Only complete products such as workbenches and desks may be considered to be subject to the CE marking, as well as other relevant standards relating to material strength and anti-squeeze safeguards. (EN.527-1/-3 etc).

We would be pleased to advise in regard to the certification of your products if required.

5) RoHS/Conformity

We fulfill the EU/Guideline 2002/95/EG from January. 27th 2003, named RoHS (Restriction of Hazardous Substances). The RoHS directive took effect on 1 July 2006, and is required to be enforced and become law in each member state. This directive restricts the use of six hazardous materials in the manufacture of various types of electronic and electrical equipment.

Appendix

GUIDELINES

In this catalogue you will find our range of standard products, together with performance data. Although great care has been taken in preparing this documentation, we can not guarantee that the data is complete or entirely accurate in every case. As our products are under continuous improvement and development, it has not been possible in every case to indicate all performance criteria.

Should you require additional information regarding a specific product or if you have been unable to find a product matching your criteria, we would request that you contact us on a direct basis.

The performance of any DC motor driven actuator will vary as a consequence of changes in load, power supply and other factors over which we have no influence. The accuracy of limit switch control is very much dependent on load and linear speed. For applications where these criteria are of critical importance, we recommend you to consult our sales staff.

The drive units shown in this catalogue are intended for intermittent operation category S3. This type of operation can be a sequence of similar cycles comprising a period of constant load and then a pause, after which this may be repeated. Example S3 10%: Running time 1 minute in any 10-minute period.

Basic Definitions

Power absorbed

$$P1 = U \cdot I$$

P1 absorbed power in W
U Voltage in V
I Current in Amps

$$\text{Efficiency} = P2 / P1$$

ratio between the power absorbed and the output power in %

Power Output

$$\text{Rotational: } P2 = M \cdot 2\pi \cdot n / 60$$

P2 Output power in W
M Torque in Nm
n Rotational speed in rpm

$$\text{Linear: } P2 = F \cdot v \\ = F \cdot s / t$$

P2 Output power in W
F Moving load in N
v Linear speed m/s
s Travel in m
t Travel time in s

Telescopic Lifters

T 165 AP  640 mm - 1135 mm
 T165J500640BBB24

T 180/2  640 mm - 1140 mm
 T180N500640DDD24

T 180/3  580 mm - 1280 mm
 T180K700580DDD24

T 180/3  320 mm - 690 mm
 T180K370320DDD24

T 175/3  580 mm - 1380 mm
 T175K800580CCC24

T 175/2  640 mm - 1140 mm
 T175J500640CCC24

T 175/3 mini  245 mm - 480 mm
 T 175K235245CCC24

TR126/3  580 mm - 1380 mm
 TR126K800580AAA24

TR126/2  640 mm - 1140 mm
 TR126I500640AAA24

TR126/3 mini  220 mm - 420 mm
 TR126K200220AAA24

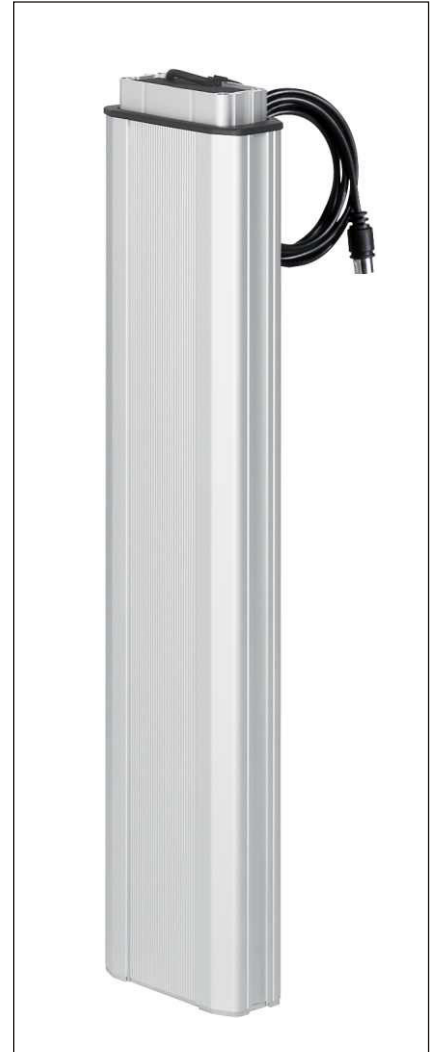
TR126/3S mini  220 mm - 420 mm
 TR126L200220AAA24

Hexalift  680 mm - 1180 mm
 V1: HD240D 500680FFF24
 V2: HD240G 500680FFF24
 V3: HM240D500680FFF24
 V4: HM240F 500680FFF24

T 206  650 mm - 1130 mm
 T206480650EEE24

Telescopic Pillar T165 AP

T165J500640BBB24

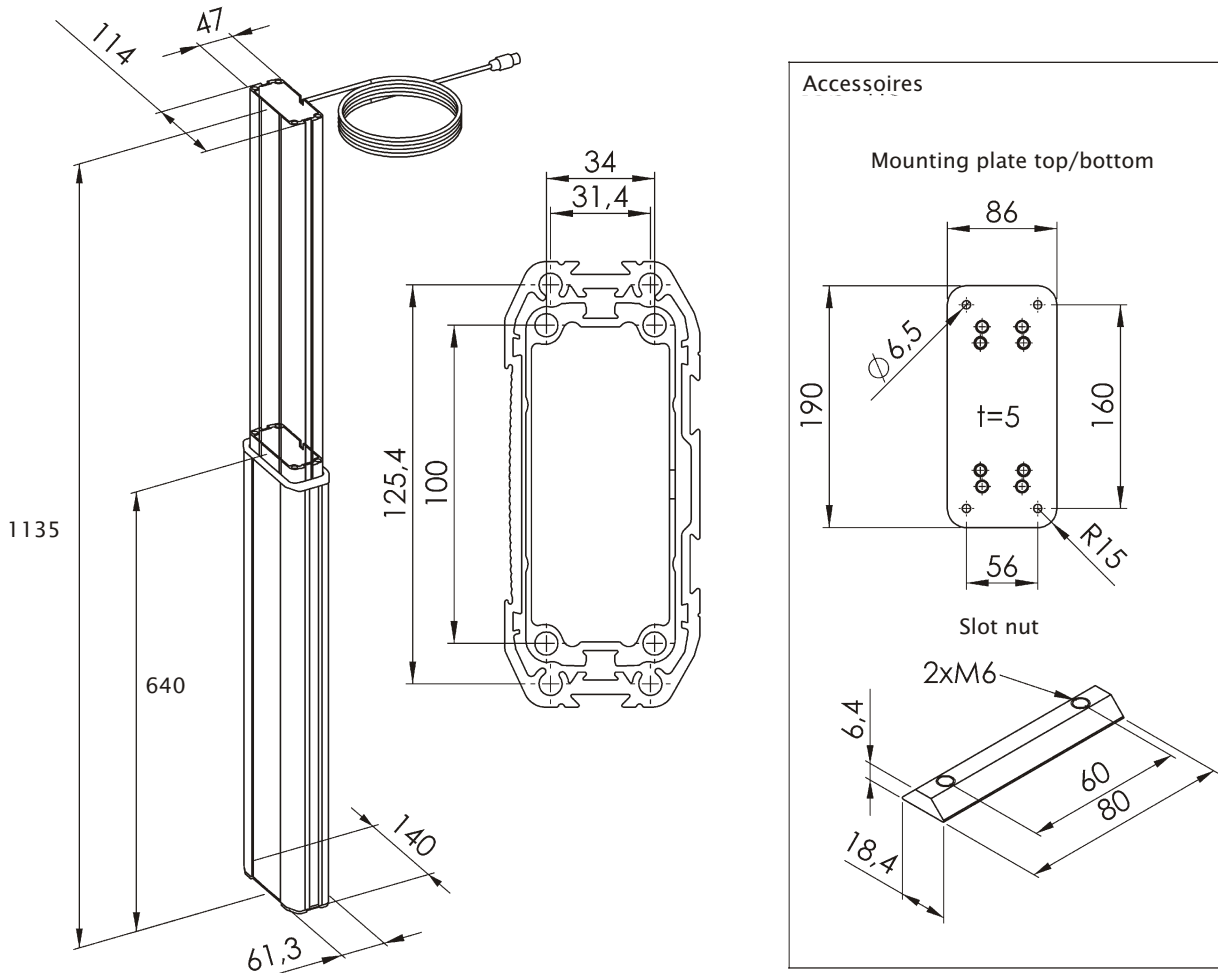


T-165 AP

Slim, attractive single-stage pillar design for many lifting applications. Internal DC actuator drives for lift forces up to 800N and lift speeds up to 25mm/sec. This pillar design is frequently used for sitting/standing desk arrangements and assembly tables. Refer to accessories section for assembly components.

Telescopic Pillar T165 AP

T165J500640BBB24



Telescopic Pillar T-165 AP anodised aluminium

Art.Nr.:	T165J500640BBB24
Max. thrust force:	800 N
Max. turning moment:	200 Nm in static, vertical (100 Nm dynamic)
Linear speed:	25 mm/s at 24V without load
Drive:	Internal DC actuator with integrated limit switches and two hall sensors
Cable lengths:	1200 mm, 8-pin plug connector
Duty rating:	10% (S3) intermittent operation and max. load (1 Min. on / 9 Min. off)
Installation geometry	Preferably pushing, ask for others
Synchronous operation	1- 4 pillars, max. thrust force 2500N/4 pillars

Refer to accessories section for assembly components

Telescopic Pillar T 180/2

T180N500640DDD24

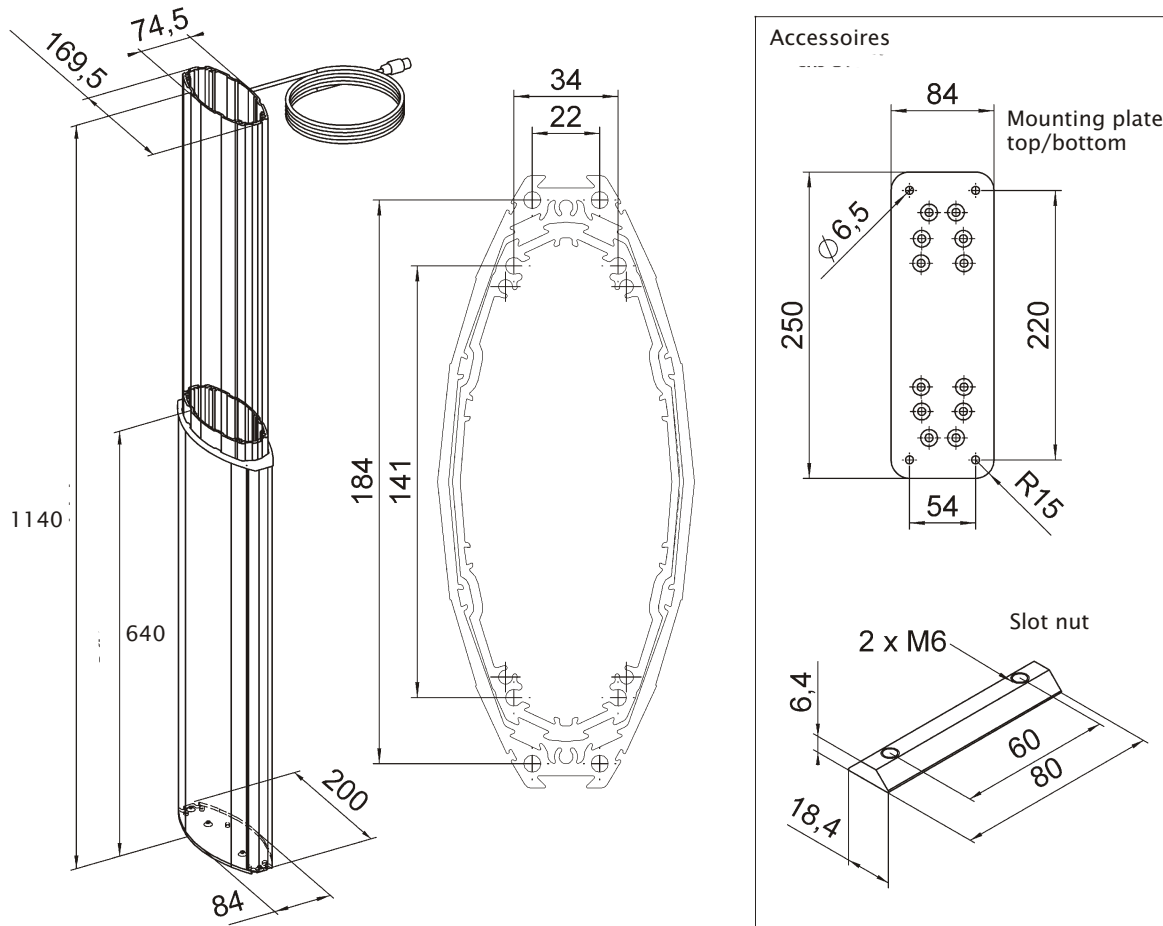


T-180 S

Larger section profile, single-stage telescopic pillar of modern design used in many lifting applications. Internal DC actuator drive for lift forces to 1500N and linear speeds to 25mm/sec. This pillar is especially suited to sitting/standing desk or workbench applications, where heavier loads can occur.

Telescopic Pillar T 180/2

T180N500640DDD24



Telescopic Pillar T-180/2 anodised aluminium

Art.Nr.:	T180N500640DDD24
Max. thrust force:	1500 N
Max. turning moment:	200 Nm in static, vertical (100 Nm dynamic)
Linear speed:	25 mm/s at 24 V without load
Drive:	Internal 24 V DC actuator with integrated limit switches and two hall sensors
Cable length:	ca. 1200 mm, 8-pin plug connector
Duty rating:	10% (S3) intermittent operation and max. load (1 Min. on / 9 Min. off)
Installation geometry	Preferably pushing, ask for others
Synchronous operation	1- 4 pillars, max. 4000N force with 4 pillars

Refer to accessories section for assembly components

Telescopic Pillar T 180/3

T180K700580DDD24

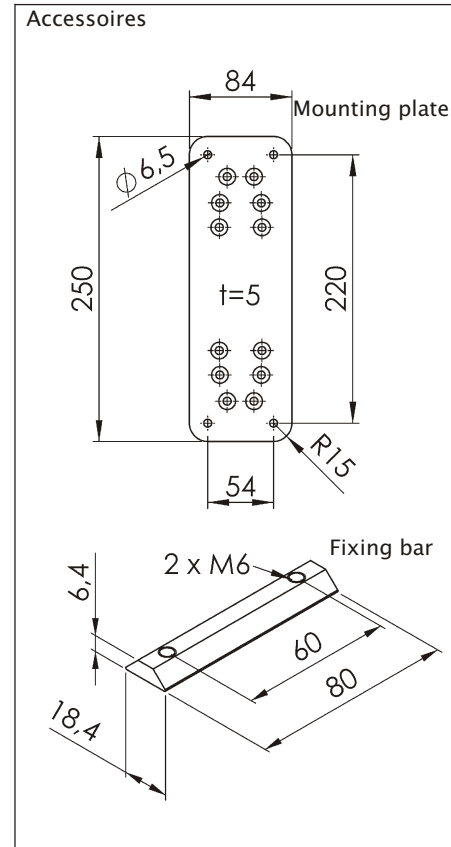
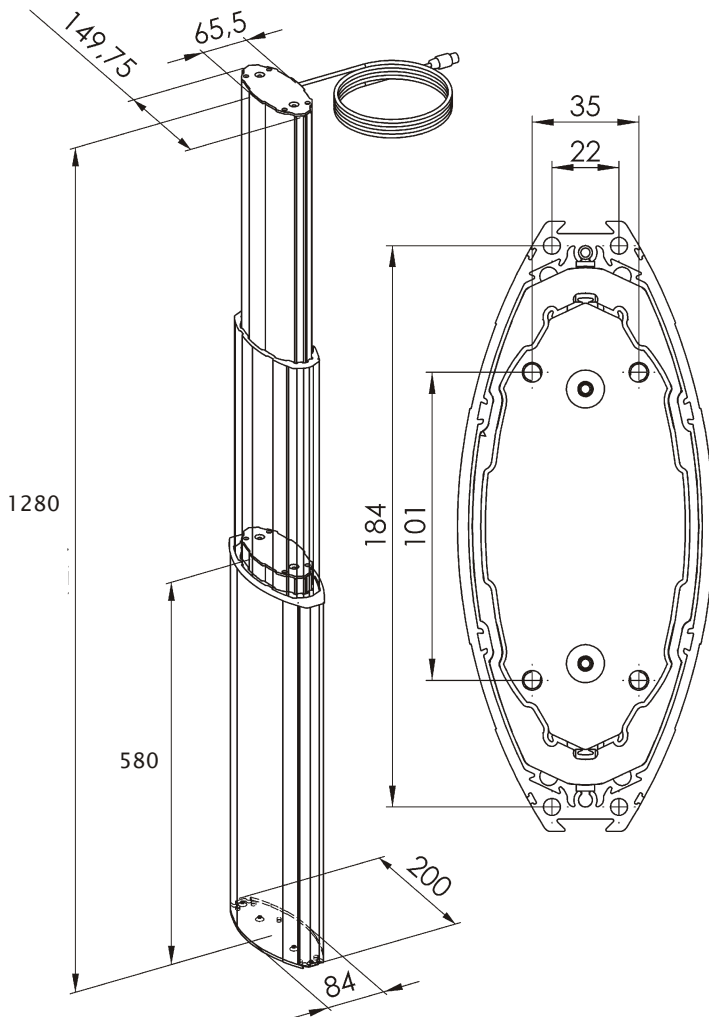


T-180/3 - 580

Larger section profile, two-stage telescopic pillar of modern design used in many lifting applications. Internal DC actuator drive for lift forces to 800 N and linear speeds to 45 mm/sec. This pillar is especially suited to sitting/standing desk and other applications with extra long stroke.

Telescopic Pillar T 180/3

T180K700580DDD24



Telescopic Pillar T-180/3-580 anodised aluminium

Art.Nr.:	T180K700580DDD24
Max. thrust force:	800 N
Max. turning moment:	200 Nm in static, vertical (100 Nm dynamic)
Maximum linear speed:	45 mm/s without load
Drive:	Internal 24 V DC motor with integrated limit switches and two Hall sensors
Cable lengths:	ca. 1200 mm, 8-pin connector
Duty rating:	10% (S3) intermittent operation and max. load (1 Min. on / 9 Min. off)
Installation geometry	Preferably pushing, ask for others
Synchronous operation	1- 4 pillars

Refer to accessories section for assembly components

Telescopic Pillar T 180/3

T180K370320DDD24

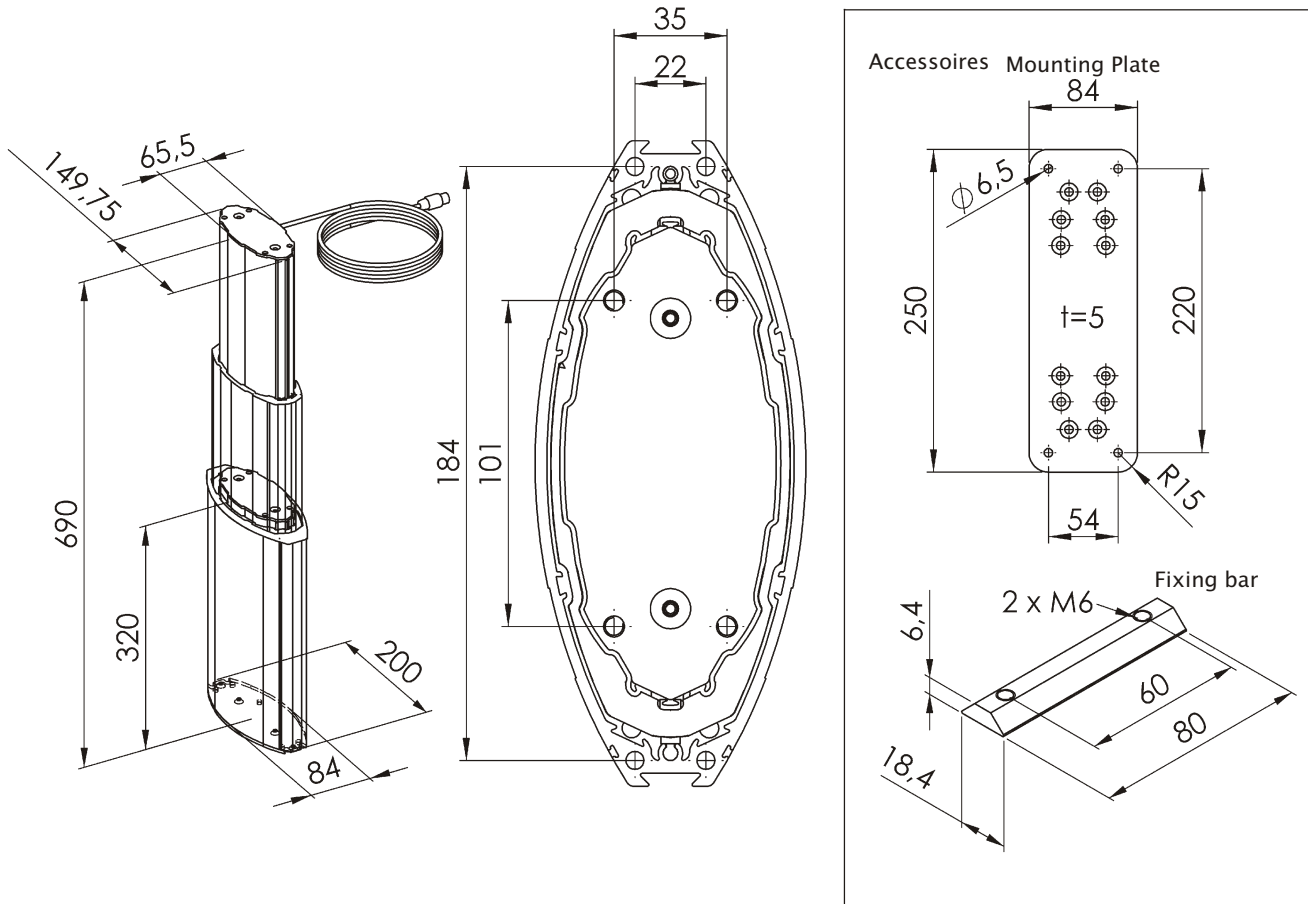


T-180 /3 - 320

Larger section profile, two-stage telescopic pillar of modern design used in many lifting applications. Internal DC actuator drive for lift forces to 800 N and linear speeds to 45 mm/sec. This pillar is especially suited to sitting/standing desk or other applications, with extra-long stroke and for short retracted height.

Telescopic Pillar T 180/3

T180K370320DDD24



Telescopic Pillar T 180/3-320 anodised aluminium

Art.Nr.:	T180K370320DDD24
Max. thrust force:	800 N
Max. turning moment:	200 Nm in static, vertical (100 Nm dynamic)
Maximum linear speed:	45 mm/s without load
Drive:	Internal 24 V DC motor with integrated limit switches and two hall sensors
Cable lengths:	ca. 1200 mm, DIN plug connector
Duty rating:	10% (S3) intermittent operation and max. load (1 Min. on / 9 Min. off)
Installation geometry	Preferably pushing, ask for others
Synchronous operation	1 - 4 pillars. Thrust force, ask for details

Refer to accessories section for assembly components

Telescopic Pillar 175/3

T175K800580CCC24



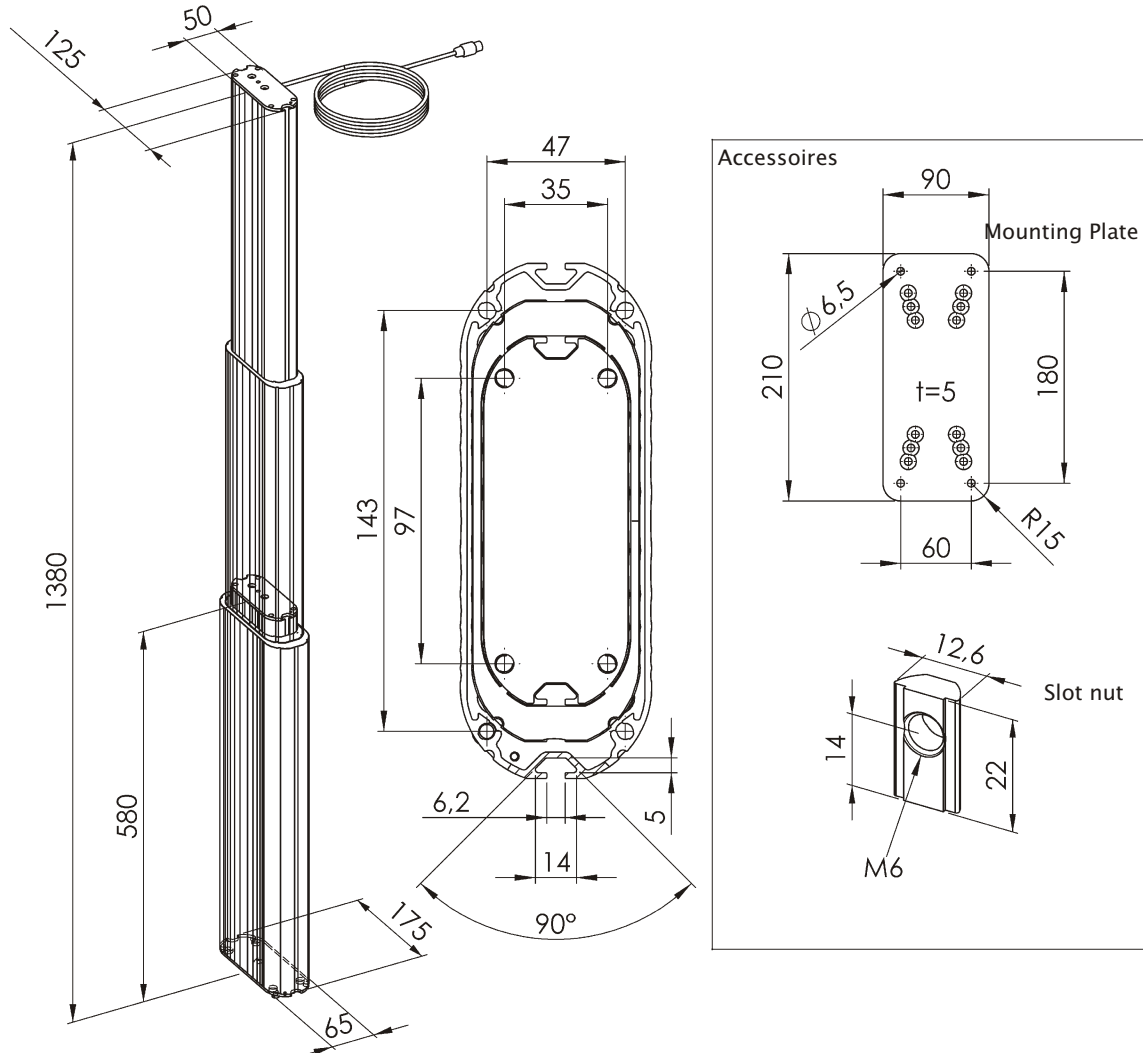
T-175 /3

Two-stage telescopic pillar of modern design used in many lifting applications. Very quiet, internal DC actuator drive for lift forces to 800 N and linear speeds to 25 mm/sec. This pillar is especially suited to sitting/standing desk or other applications where extra-long stroke is needed.



Telescopic Pillar T 175/3

T175K800580CCC24

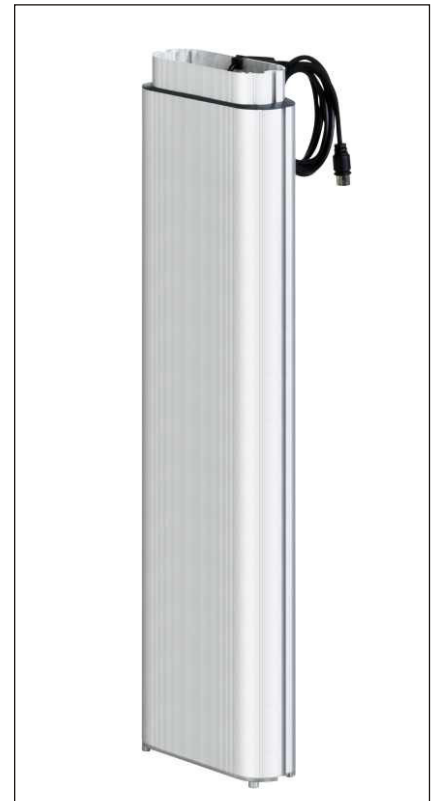


Telescopic-Pillar T-175/3 Anodised aluminium

Art.Nr.	T175K800580CCC24
Max. Thrust force:	800 N
Max. turning moment:	200 Nm static load, vertical (100 Nm dynamic)
Max. linear speed:	25 mm/s without load
Drive:	Internal 24 V DC motor with integrated limit switches and two hall sensors
Cable:	Standard length: 1200 mm, DIN Plug
Duty cycle:	10 % (S3) intermittent operation and max. load (1 Min. on /9 Min.off)
Installation geometry:	Preferably pushing , ask for others.
Synchronous operation:	1- 4 Pillars, max. 2500N thrust force
Refer to accessories section for assembly components	

Telescopic Pillar T 175/2

T175J500640CCC24

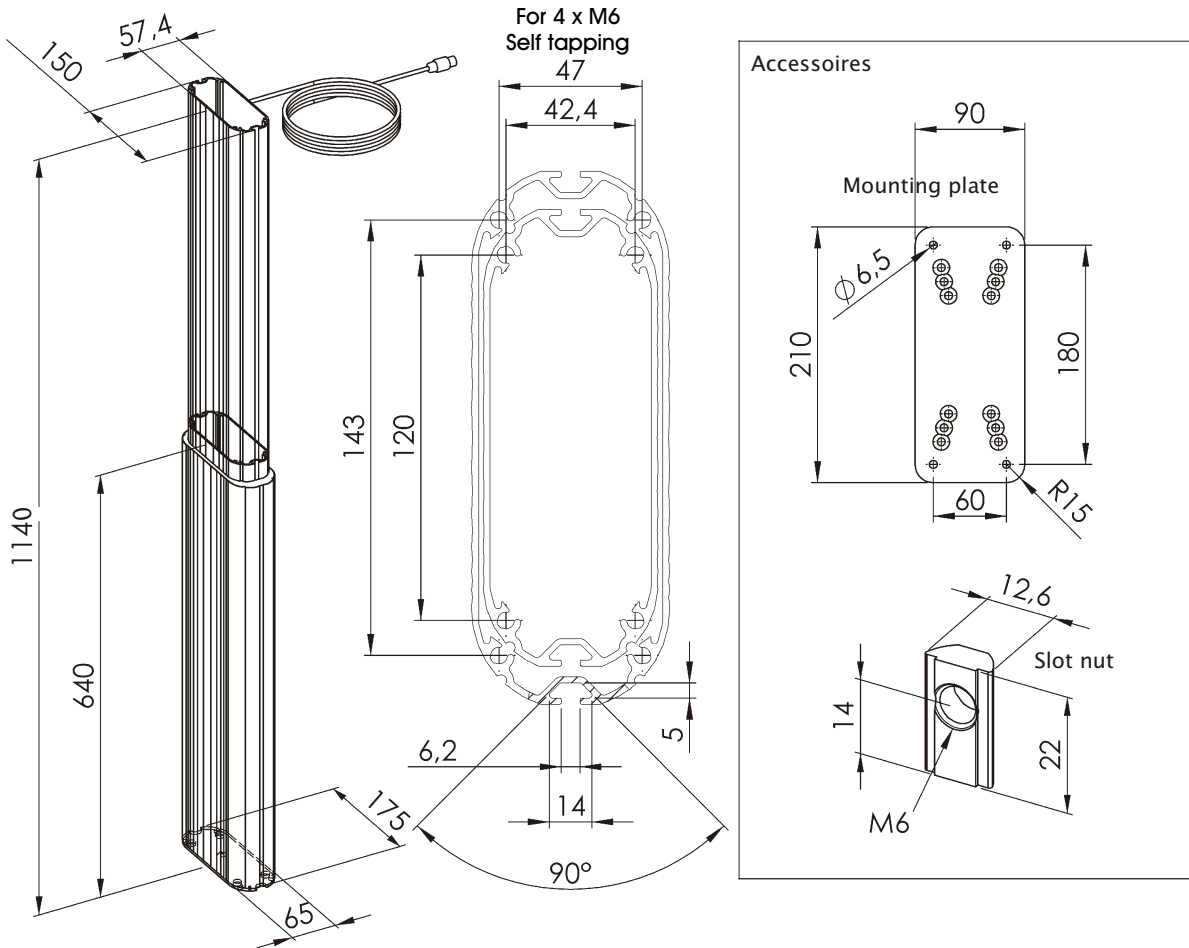


T-175 /2

Single-stage telescopic pillar of modern design used in many lifting applications. Very quiet, internal DC actuator drive for lift forces to 800 N and linear speeds to 25 mm/sec. This pillar is especially suited to sitting/standing desk or other applications.

Telescopic Pillar T 175/2

T175J500640CCC24



Telescopic-Pillar T-175/2 Anodised aluminium

Art.Nr.	T175J500640CCC24
Max. thrust force:	800 N
Max. turning moment:	200 Nm static load, vertical (100 Nm dynamic)
Max. linear Speed:	25 mm/s without load
Drive:	Internal 24 V DC motor with integrated limit switches and two hall sensors
Cable:	Standard length: 1200 mm, DIN Plug
Duty cycle:	10 % (S3) intermittent operation and max. load (1 Min. on /9 Min.off)
Installation geometry:	Preferably pushing , ask for details.
Synchronous operation:	1- 4 Pillars, max. 2500N thrust force
Refer to accessories section for assembly components	

Telescopic Pillar T 175/3mini

T175K235245CCC24

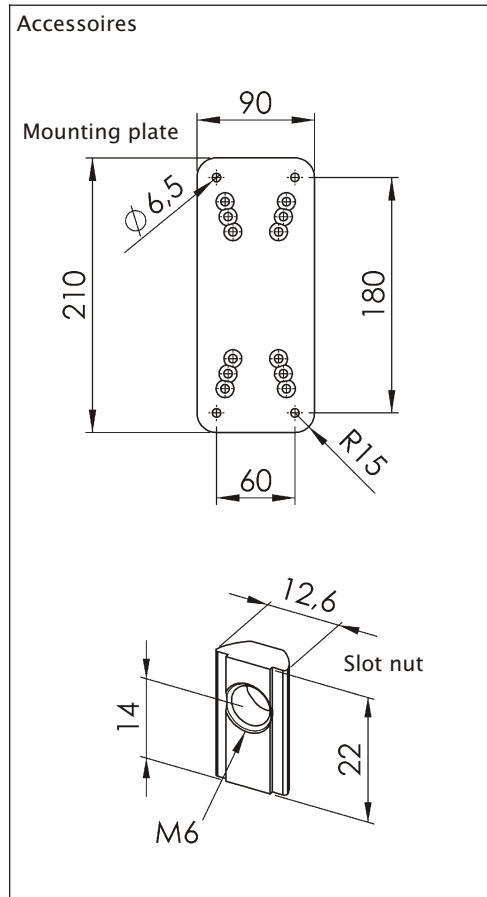
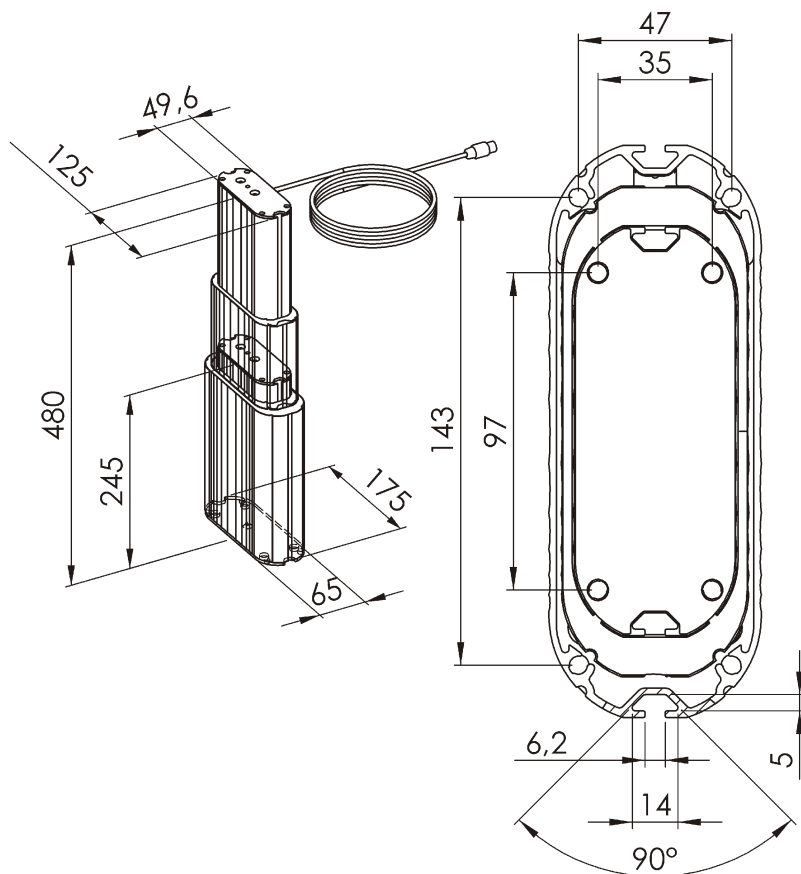


T-175 /3mini

Two-stage telescopic pillar of modern design used in many lifting applications. Very quiet, internal DC actuator drive for lift forces to 800 N and linear speeds to 25 mm/sec. This pillar is especially suited for short retracted height. Max. retracted height 300mm.

Telescopic Pillar T 175/3mini

T175K235245CCC24



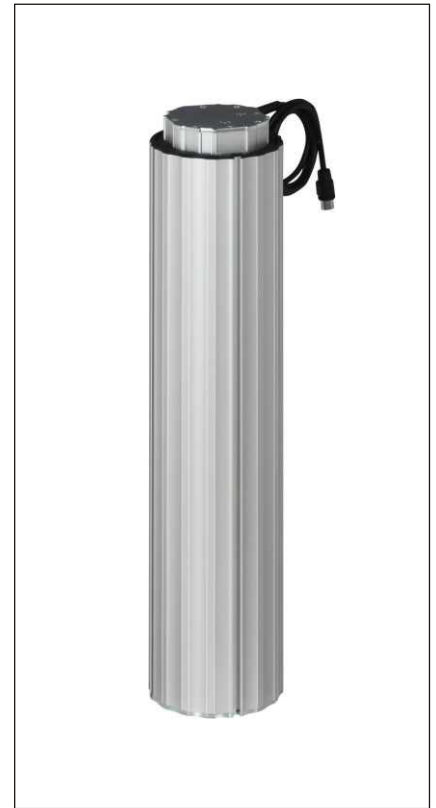
Telescopic-Pillar T-175/3mini Anodised aluminium

Art.Nr.	T175K235245CCC24
Max. thrust force:	800 N
Max. turning moment:	200 Nm static load, vertical (100 Nm dynamic)
Max. linear speed:	25 mm/s without load
Drive:	Internal 24 V DC actuator with integrated limit switches and two hall sensors
Cable:	Standard length: 1450 mm, DIN Plug
Duty cycle:	10 % (S3) intermittent operation and max. load (1 Min. on /9 Min.off)
Installation geometry:	Preferably pushing , ask for details.
Synchronous operation:	1- 4 Pillars, max. 2500N thrust force

Refer to accessories section for assembly components

Telescopic Pillar TR 126/3

TR126K800580AAA24

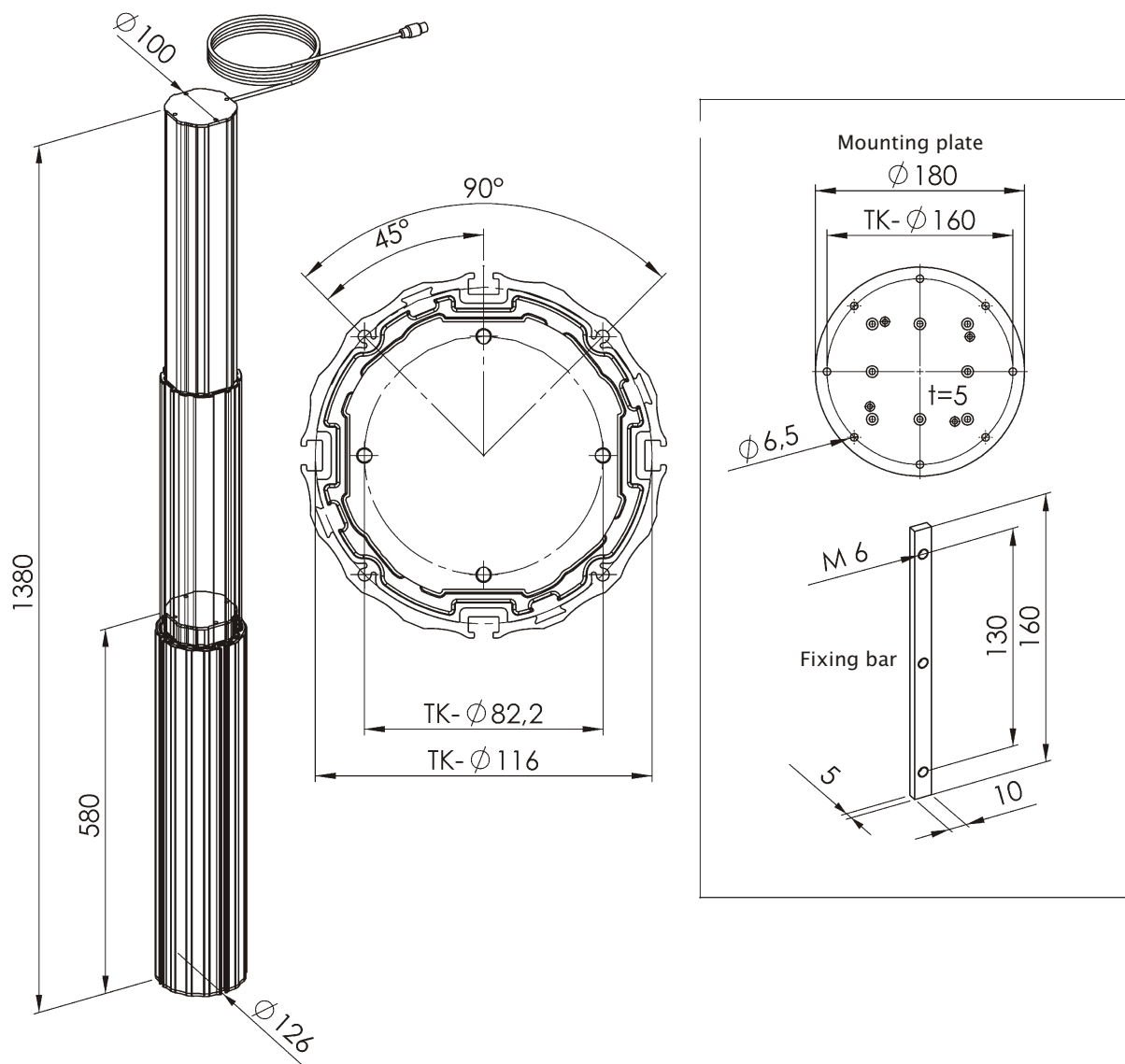


TR-126 /3

Two-stage telescopic pillar of modern design used in many lifting applications. Very quiet, internal DC actuator drive for lift forces to 800 N and linear speeds to 25 mm/sec. This pillar is especially suited to sitting/standing desk or other applications with extra-long stroke.

Telescopic Pillar TR 126/3

TR126K800580AAA24

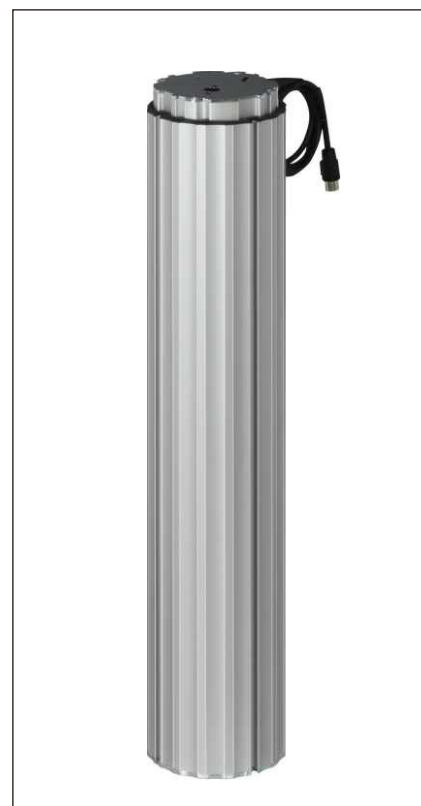


Telescopic-Pillar TR-126/3 Anodised aluminium

Art.Nr.:	TR126K800580AAA24
Max. thrust force:	800 N
Max. turning moment:	200 Nm static load, vertical (100 Nm dynamic)
Max. linear speed:	25 mm/s without load
Drive:	Internal 24 V DC actuator with integrated limit switches and two hall sensors
Cable:	Standard length: 1200 mm, DIN Plug
Duty cycle:	10 % (S3) intermittent operation and max. load (1 Min. on /9 Min.off)
Installation geometry:	Preferably pushing , ask for details.
Synchronous operation:	1- 4 Pillars, max. 2500N thrust force
Refer to accessories section for assembly components	

Telescopic Pillar TR 126/2

TR126I500640AA24

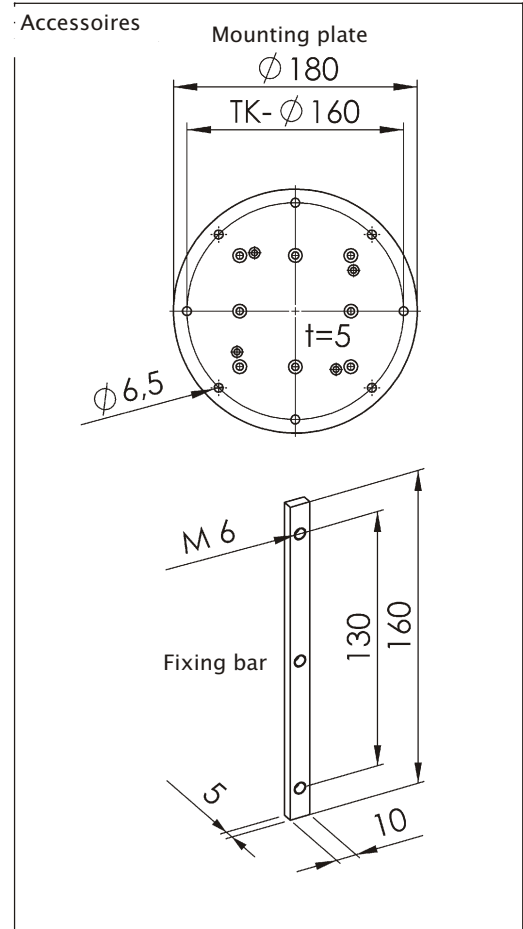
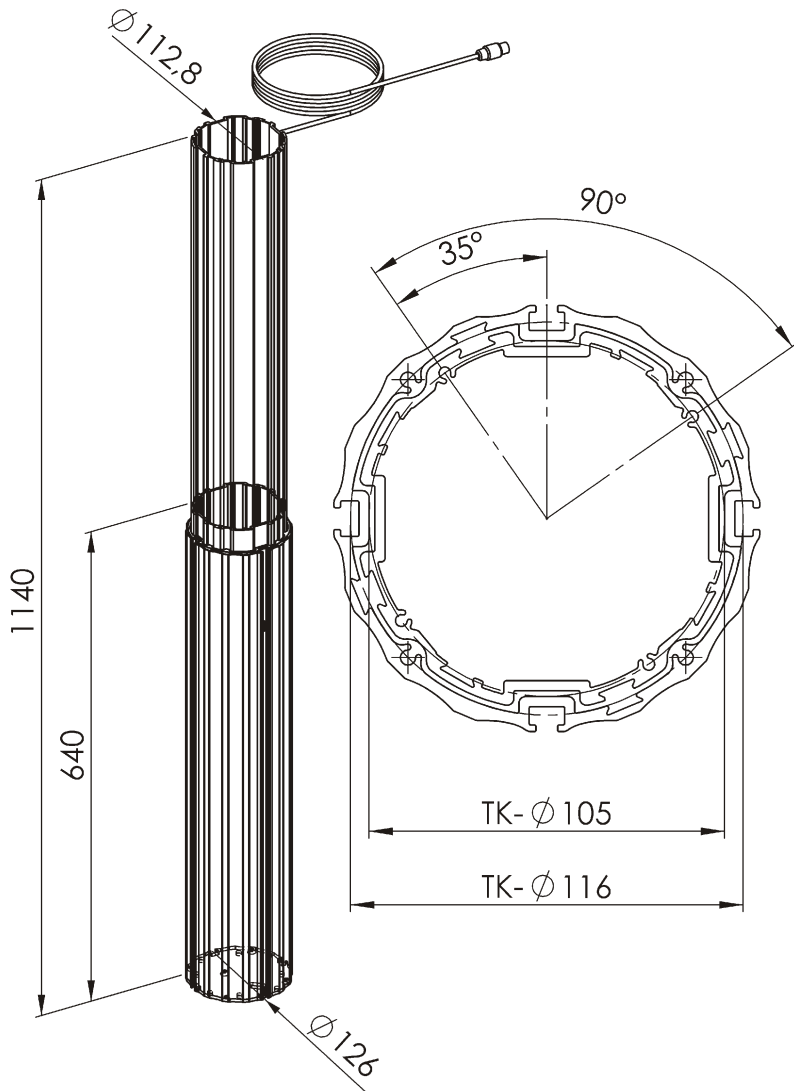


TR 126/2

Single-stage telescopic pillar of modern design used in many lifting applications. Very quiet, internal DC actuator drive for lift forces to 800 N and linear speeds to 25 mm/sec. This pillar is especially suited to sitting/standing desk or other applications.

Telescopic Pillar TR 126/2

TR1261500640AAA24



Telescopic-Pillar TR-126/2 Anodised aluminium

Art.Nr.	TR1261500640AAA24
Max. thrust force:	800 N
Max. turning moment:	200 Nm static load, vertical (100 Nm dynamic)
Max. linear speed:	25 mm/s without load
Drive:	Internal 24 V DC actuator with integrated limit switches and two hall sensors
Cable:	Standard length: 1200 mm, DIN Plug
Duty cycle:	10 % (S3) intermittent operation and max. load (1 Min. on /9 Min.off)
Installation geometry:	Preferably pushing, ask for details.
Synchronous operation:	1- 4 Pillars, max. 2500N thrust force
Refer to accessories section for assembly components	

Telescopic Pillar TR 126/3mini

TR126K200220AAA24

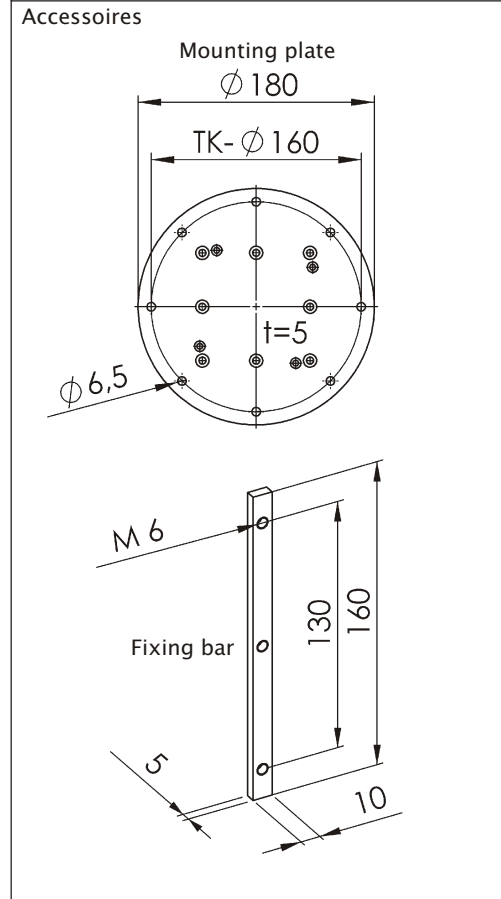
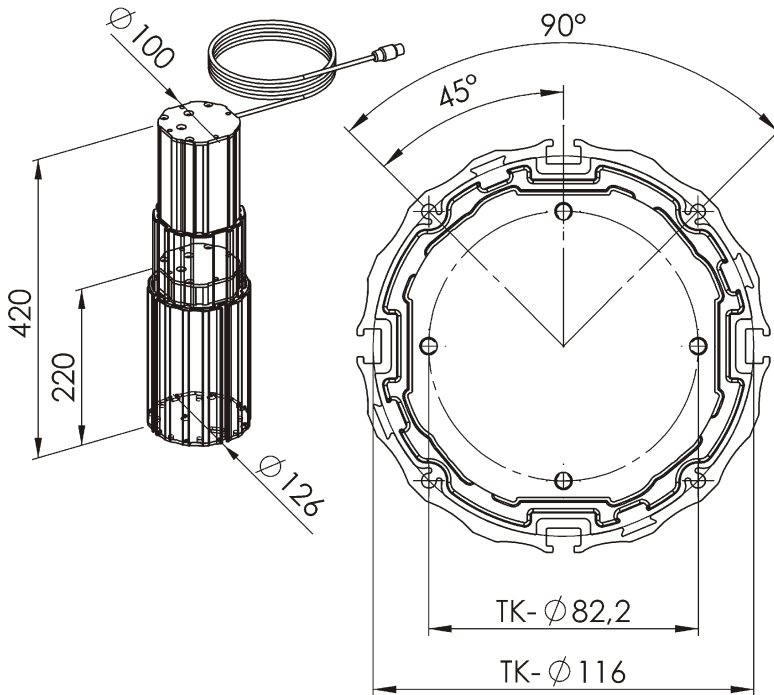


TR-126 /3mini

Worldwide smallest two-stage telescopic pillar of modern design used in many lifting applications. Very quiet, internal DC actuator drive for lift forces to 800 N and linear speeds to 25 mm/sec. This pillar is especially suited to sitting/standing desk or other applications where an extrem short retracted height is needed. Max. retracted length 300mm.

Telescopic Pillar TR 126/3mini

TR126K200220AAA24



Telescopic-Pillar TR-126/3mini Anodised aluminium

Art.Nr.:	TR126K200220AAA24
Max. thrust force:	800 N
Max. turning moment:	200 Nm static load, vertical (100 Nm dynamic)
Max. linear speed:	25 mm/s without load
Drive:	Internal 24 V DC actuator with integrated limit switches and two hall sensors
Cable:	Standard length: 1200 mm, DIN Plug
Duty cycle:	10 % (S3) intermittent operation and max. load (1 Min. on /9 Min.off)
Installation geometry:	Preferably pushing , ask for details.
Synchronous operation:	1- 4 Pillars, max. 2500N thrust force
Refer to accessories section for assembly components	

Telescopic Pillar TR 126/3Smini

TR126L200220AAA24

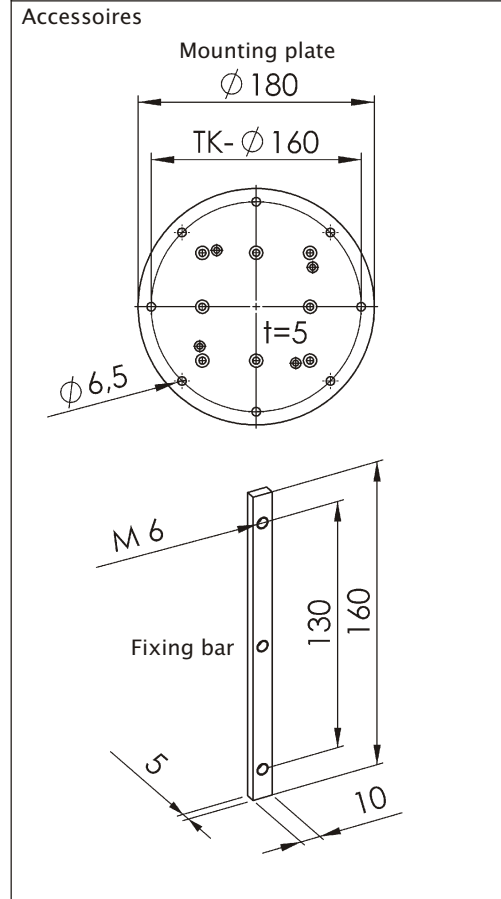
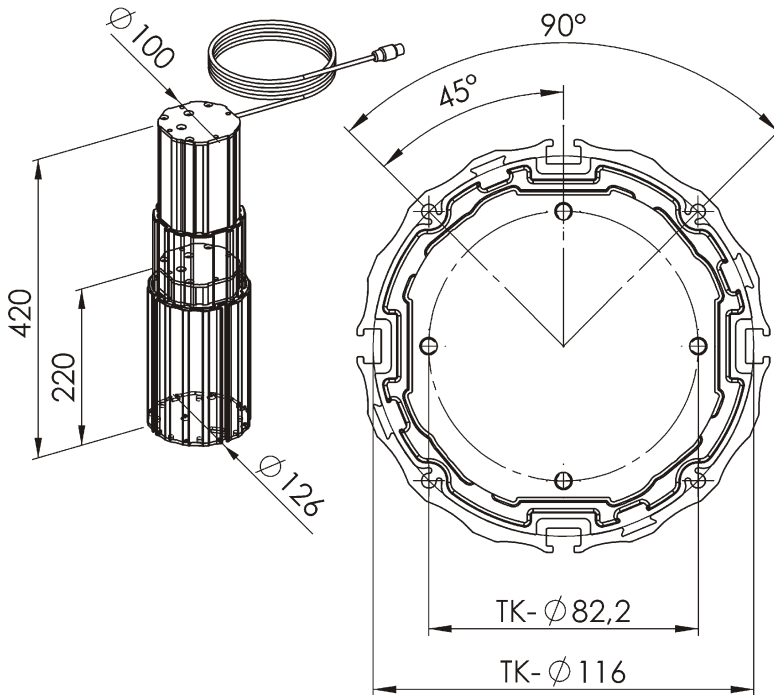


TR-126 /3Smini

Worldwide smallest two-stage telescopic pillar of modern design used in many lifting applications. Very quiet, internal DC actuator drive for lift forces to 1800 N and linear speeds to 15 mm/sec. This pillar is especially suited to sitting/standing desk or other applications where an extrem short retracted height is needed. Max. retracted length.

Telescopic Pillar TR 126/3Smini 220 - 420

TR126L200220AAA24



Telescopic-Pillar TR-126/3Smini Anodised aluminium

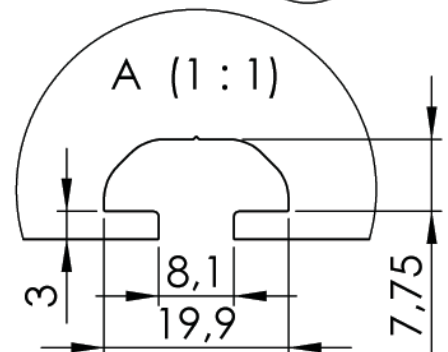
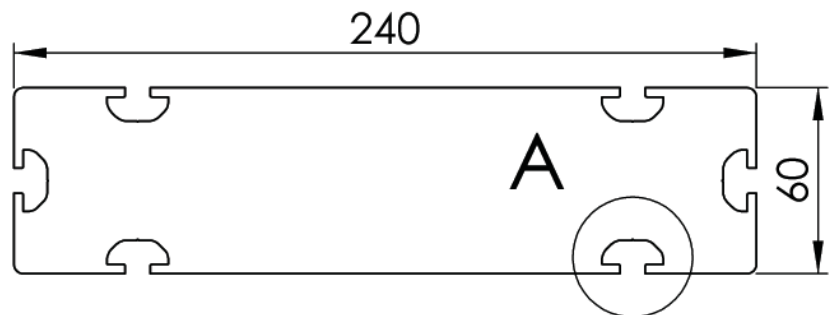
Art.Nr.:	TR126L200220AAA24
Max. thrust force:	1800 N
Max. turning moment:	300 Nm static load, vertical (150 Nm dynamic)
Max. linear speed:	15 mm/s without load
Drive:	Internal 24 V DC actuator with integrated limit switches and two hall sensors
Cable:	Standard length: 1200 mm, DIN Plug 8-pin
Duty cycle:	10 % (S3) intermittent operation and max. load (1 Min. on /9 Min.off)
Installation geometry:	Preferably pushing, ask for details.
Synchronous operation:	1- 4 Pillars, max. 4000N thrust force
Refer to accessories section for assembly components	

Telescopic Lifter Hexalift

V1: HD240D500680FFF24
 V2: HD240G500680FFF24
 V3: HM240D500680FFF24
 V4: HM240G500680FFF24



Outer profile Hexalift with 6 x slot

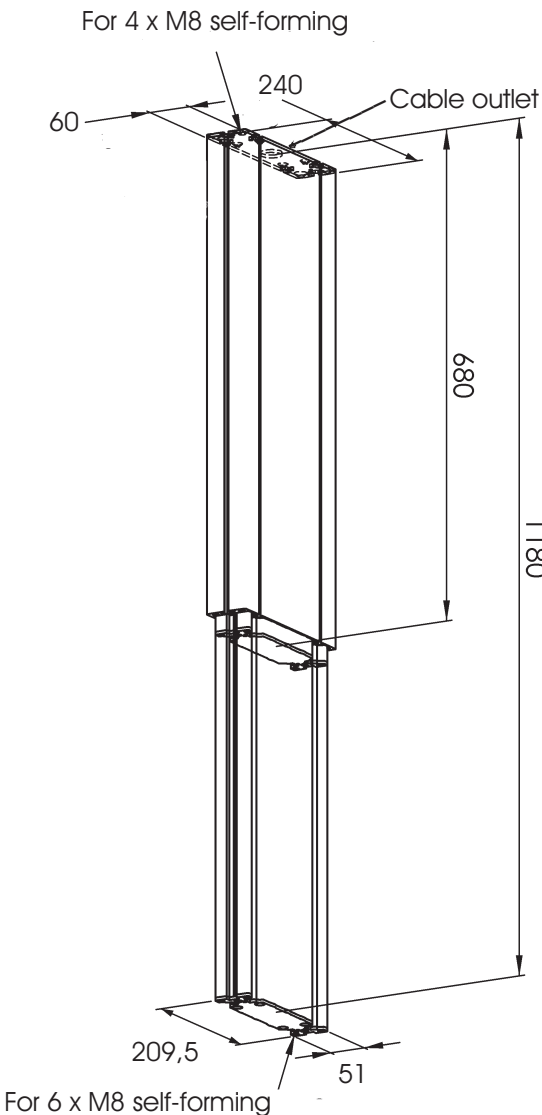


Hexalift

Main characteristic feature of the Hexalift is its compatibility to all common industrial profile systems. The hexalift can be easily adapted or integrated in new constructions or existing structures through its six slot nuts. The integrated DC Motor is another outstanding feature which gives even more freedom in industrial constructions. The Hexalift is available in four different versions.

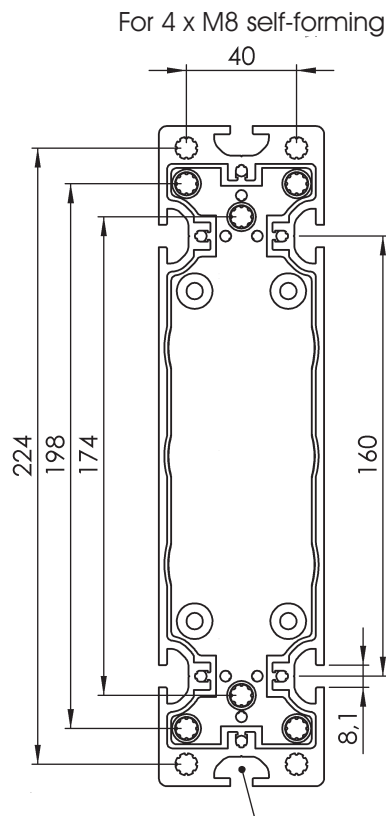
Telescopic Lifter Hexalift

V1: HD240D500680FFF24
 V2: HD240G500680FFF24
 V3: HM240D500680FFF24
 V4: HM240G500680FFF24



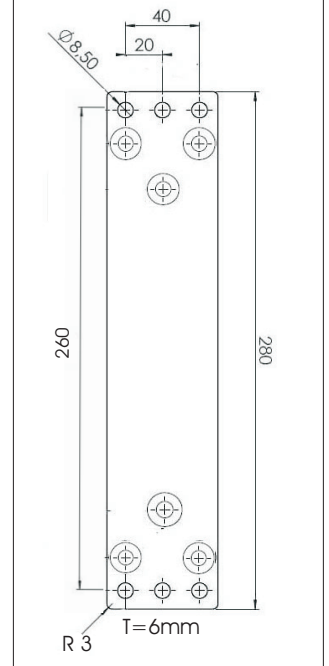
Hexalift two-stage

Other lengths and strokes
 on demand and additional
 cost



For M6 and M8 slotnuts see Accessoires
 Slot depth 7,75mm, Slot width 19,9mm

Accessoires
 Mounting Plate
 for inner and outer
 profile, steel, zinc plated,
 Art Nr. EZ00452



Telescopic Pilar Hexalift anodised aluminium

V1: HD240D500680FFF24 V2: HM240D500680FFF24

Max. thrust force (pushing):	V1: 3200 N, V2: 1600N, V3: 1600N, V4: 800N
Max. turning moment:	1200 Nm lengthwise statical, 500 Nm dynamical 450 Nm transverse direction statical, 255Nm dynamical
Linear Speed at 24 V w/o load:	V1: 9 mm/s, V2: 18mm/s, V3: 9mm/s, V4: 12mm/s
Drive:	internal 24 V DC actuator with integrated limit switches and two hall sensors
Cable:	1200 mm, 8-pin plug connector
Duty rating:	10 % (S3) intermittent operation max. load (2 Min.ON /18 Min.OFF)
Installation geometry:	preferably pushing, others by request
Synchronous operation:	1 - 4 pillars max.
Temperature range:	+10° to +40°
IP:	Use in dry conditions only
Weight:	10,6 kg

Linear speed and stroke tolerances depend on force and voltage

Refer to accessoires section for assembly components

Telescopic Pillar T 206 A

T206480650EEE24

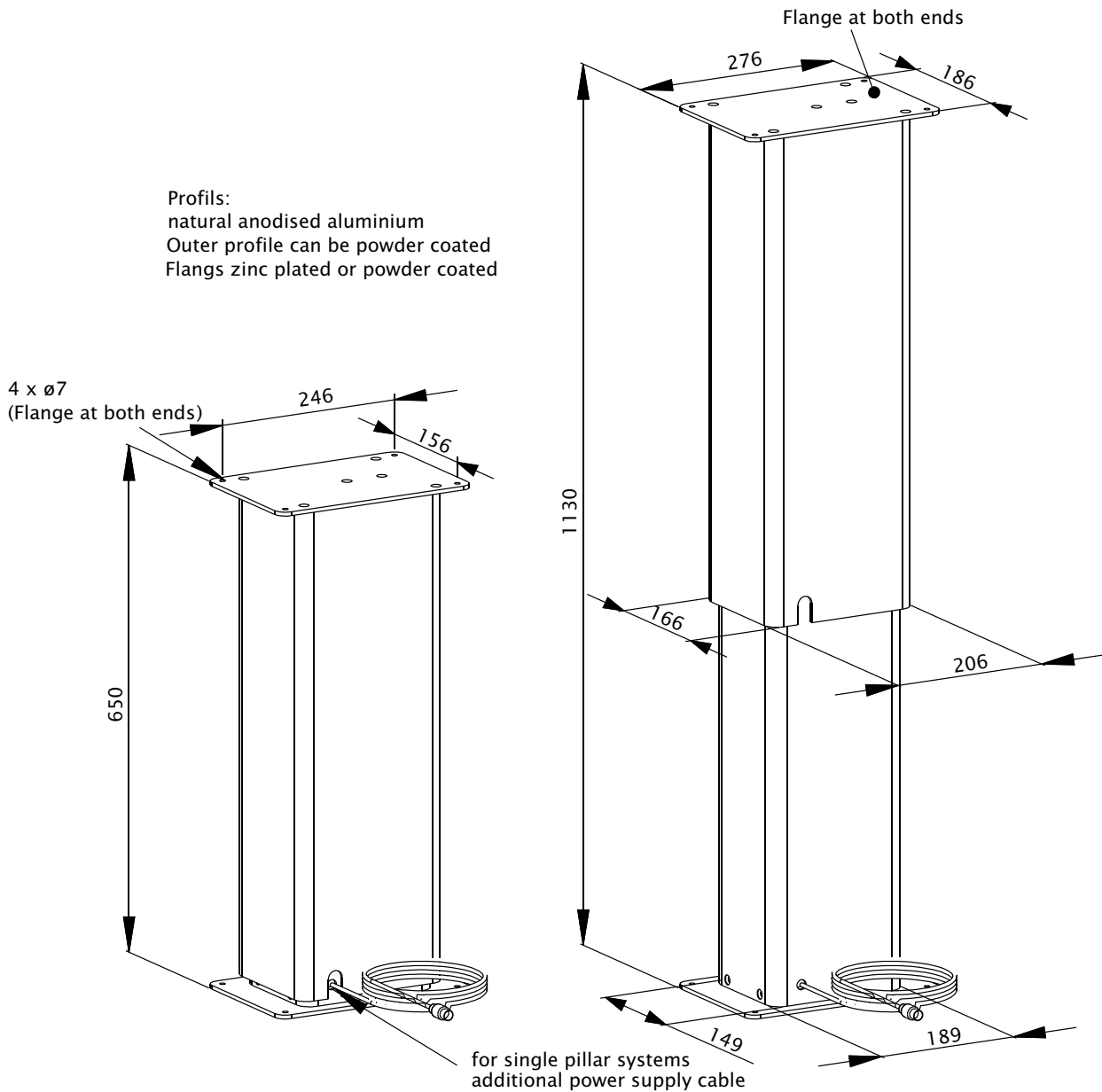


T-206

This is our largest telescopic pillar, which is a plain-sided profile single-stage system. The type T206 is available with several drive actuator options for thrust forces up to 2500N. This pillar is especially suitable for single support applications and medical equipment.

Telescopic Pillar T 206 A

T206480650EEE24



Telescopic Pillar T 206 A/AI anodised aluminium

Art.Nr.:	T206480650EEE24
Max. thrust force:	2500 N
Max. turning moment:	200 Nm in static, vertical (100 Nm Dynamic)
Maximum linear speed:	15 mm/s at 24 V without load
Drive:	Internal 24 V DC actuator with integrated limit switches and two hall sensors
Cable lengths:	ca. 1600 mm, DIN plug connector optional
Duty rating:	10% (S3) intermittent operation and max. load (1 Min. on /9 Min.off)
Installation geometry:	Preferably pushing ,ask for details
Synchronous operation:	1 - 4 pillars. Thrust force : ask for details

Refer to accessories section for assembly components

Slideway lifters I 67 and I 140

New system for desking and other applications

Slotted aluminium profile with one or more electric motor lead screw drives. I 67 and I 140 lifters have an internal drive slide-carriage to which desk surface or components can be mounted.

Note for ordering number: X = pitch, Y = stroke length, X = length



I 67-Koax

IK 67XXXXXXZZZZAAA24



I 67-DrHm

ID 67XXXXXXZZZZBBB24



I 140-ST

IS140XXXXXXZZZZDDD24

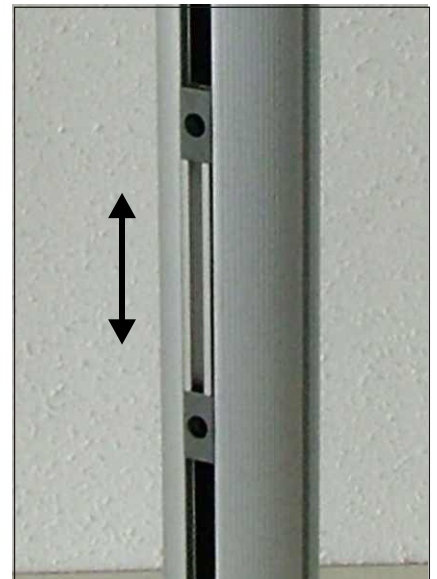
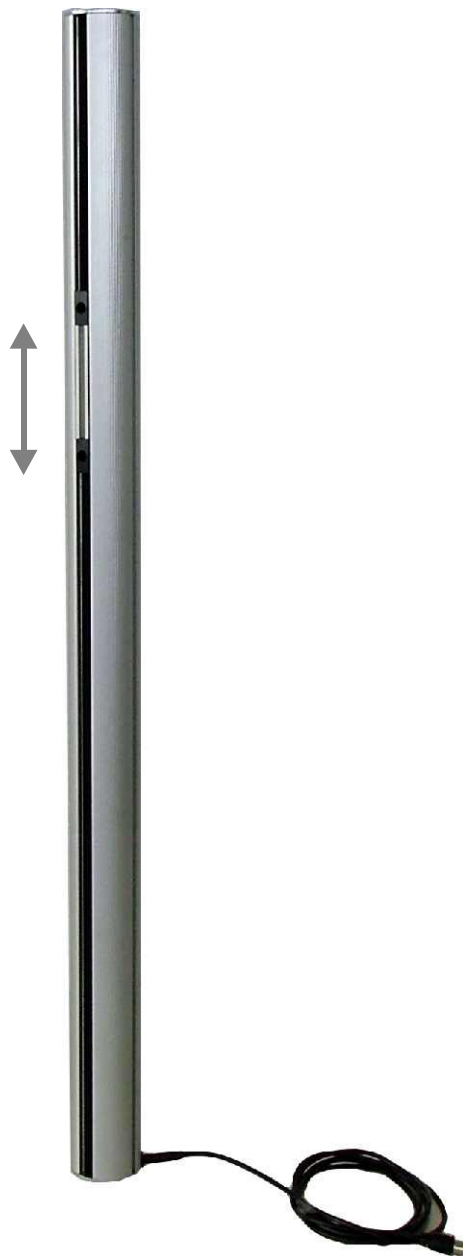


I 140-MI

IM140XXXXXXZZZZCCC24

I 67-Koax Slideway Lifter

IK 67XYYYZZZAAA24

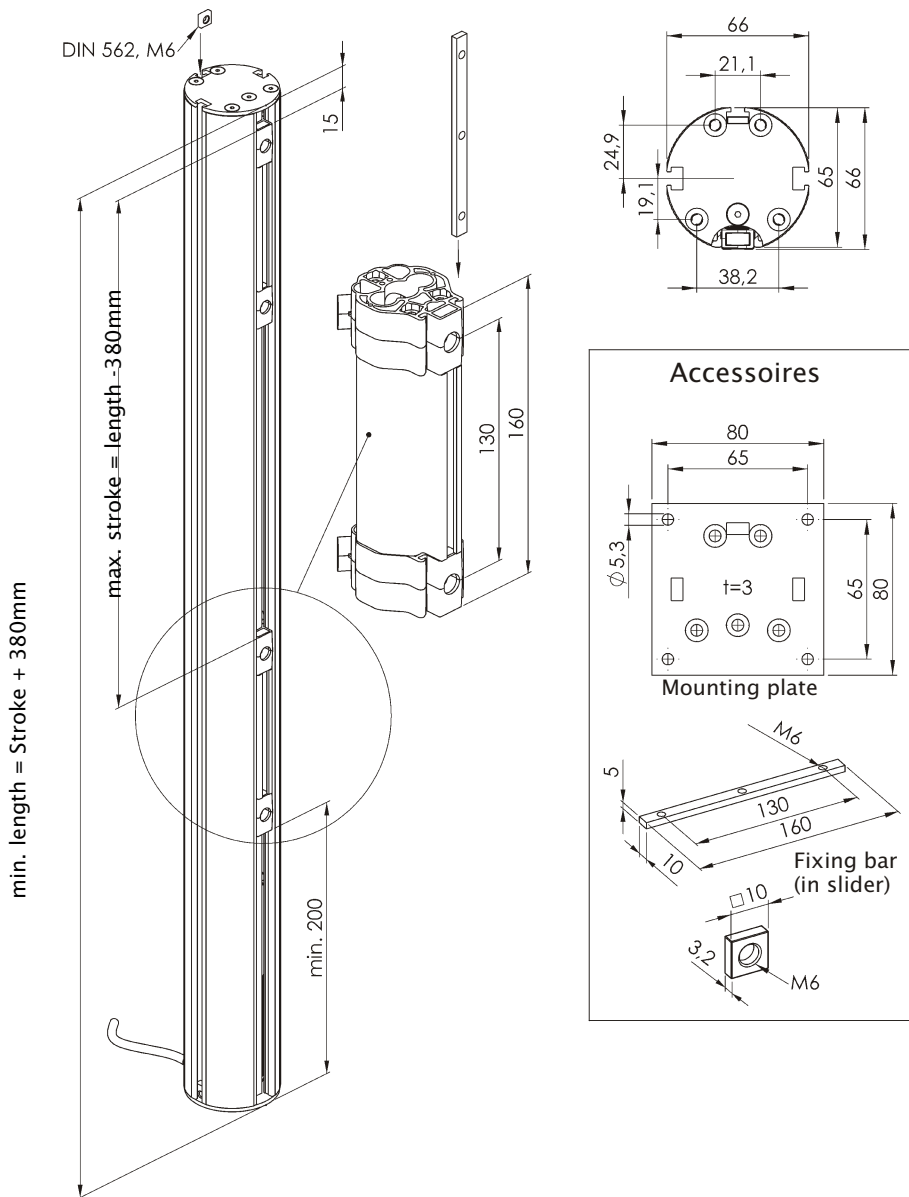


I-67 RM 42

Slideway lifter unit with fully concealed DC actuator drive. Suitable for single or dual lifter geometry, also in combination with telescopic lifters for elevating secondary shelf for VDU units etc.

I 67-Koax Slidway Lifter

IK 67XYYYYZZZAAA24



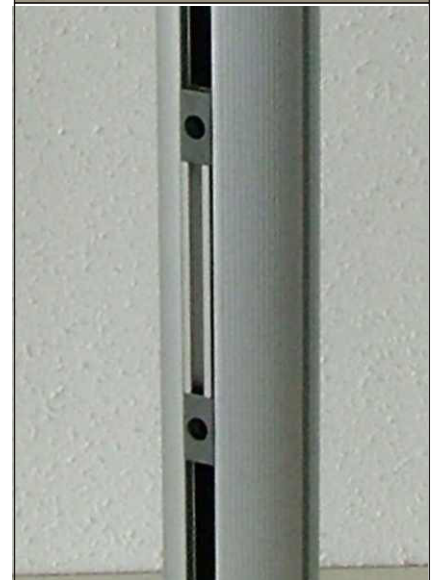
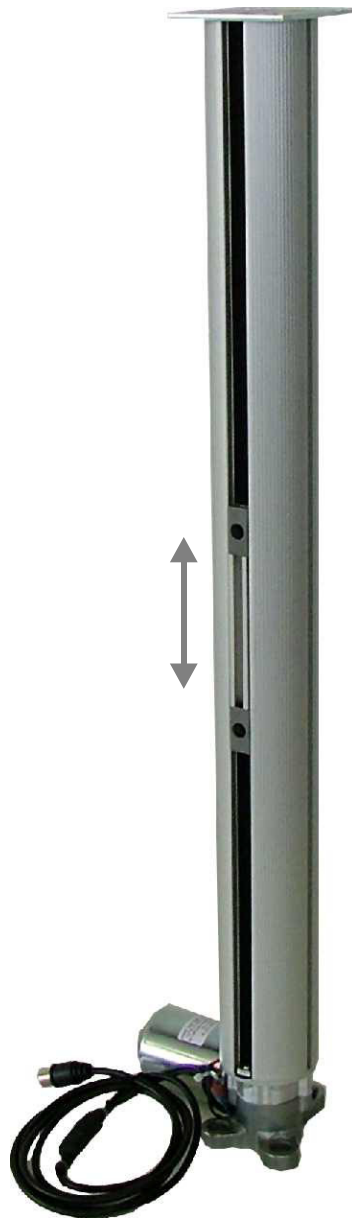
Force [N] without load	Tr12 x 3	1000
	Tr12 x 6	800
	Tr12 x 12	600
	Tr12 x 16	400
Speed [mm/s]	Tr12 x 3	15
	Tr12 x 6	25
	Tr12 x 12	40
	Tr12 x 16	50

I 67-Koax

Duty rating	10% (S3)
Insulation class	E
Enclosure rating	IP 42
Cable connection	2,6 m; 8-pin plug
Voltage [V]	12.....36
Current [A]	1,5.....8
Motor rating [W]	30.....80
Maximum power [W]	< 200
Gear ratio	1:39,7
Pulse Transmitter	Encoder: 2 pulse / rotor revolution
Limit switches	2 x integrated

I 67-DrHm Slideway Lifter

ID 67XYYYZZZBBB24

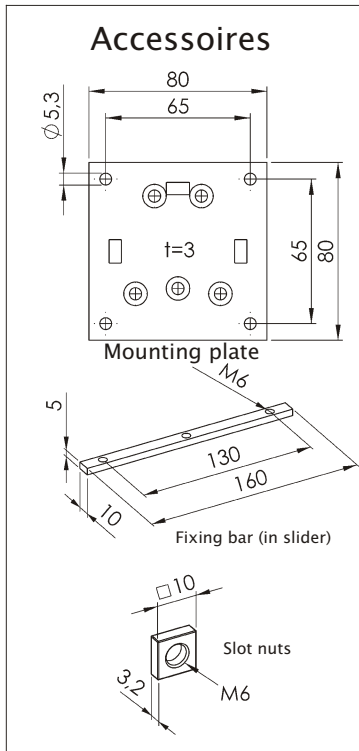
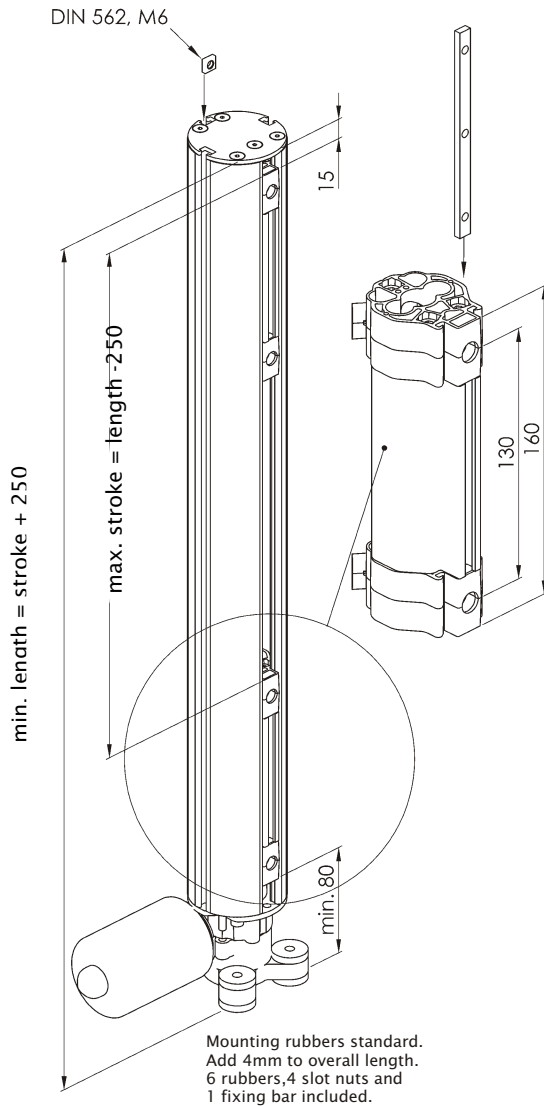


I-67 DrHm

Slideway lifter unit with base mounted DC gear motor drive. The gear motor is available in several gear ratios and screw pitch variants. The gear motor drive is especially quiet running due to the solid cast housing and anti-vibration mounting.

I 67-DrHm Slideway Lifter

ID 67XYYYYZZZBBB24



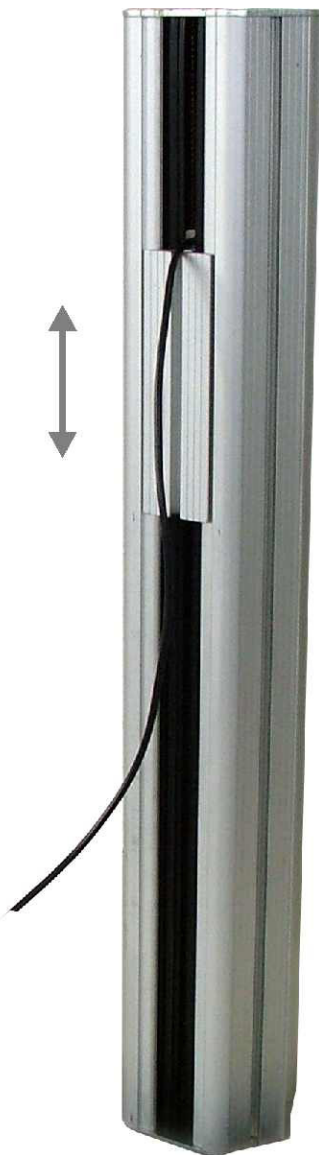
Force [N] without load	Tr12 x 3	1000
	Tr12 x 6	800
	Tr12 x 12	600
	Tr12 x 16	400
Speed [mm/s]	Tr12 x 3	10
	Tr12 x 6	15
	Tr12 x 12	25
	Tr12 x 16	30

I 67 - Dr - Hm

Duty rating	10% (S3)
Insulation class	E
Enclosure rating	IP32
Cable connection	2,6 m; 8-pin plug
Voltage [V]	24.....36
Current [A]	1,5.....5,0
Motor rating [W]	20.....60
Maximum power [W]	100.....150
Gear ratio	1 : 35
Pulse Transmitter	Infineon 4935L; 1 pulse per rotor revolution (optional)
Limit switches	2 x integrated

I 140/MI Slideway Lifter

IM140XYYYZZZCCC24



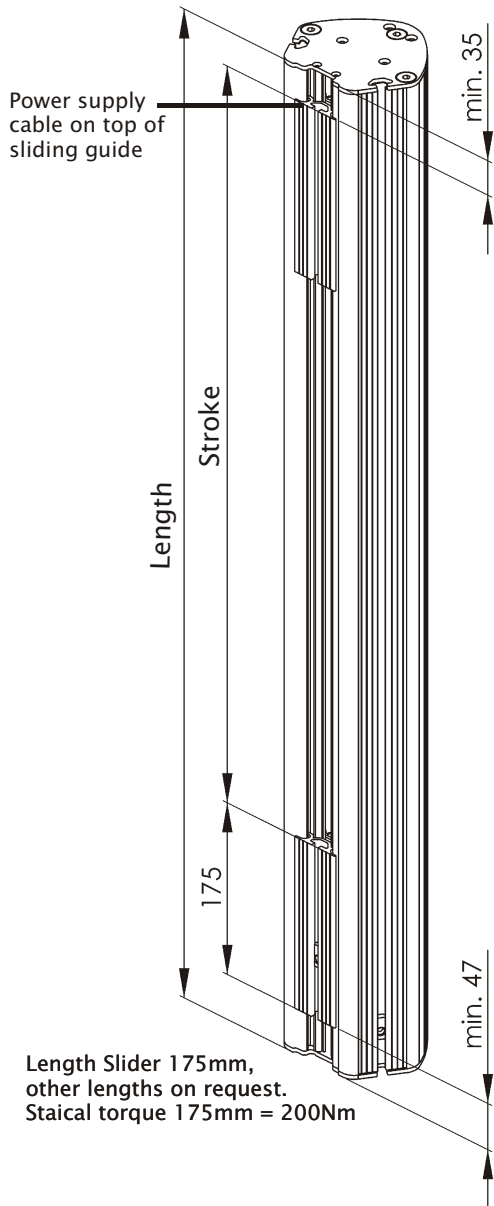
I-140/MI

Heavy duty slideway lifter employing large section aluminium profile suitable for lifting forces of up to 1800N and linear speeds to 50mm/sec. Internal gear motor drive is available with several lead screw pitch variants.

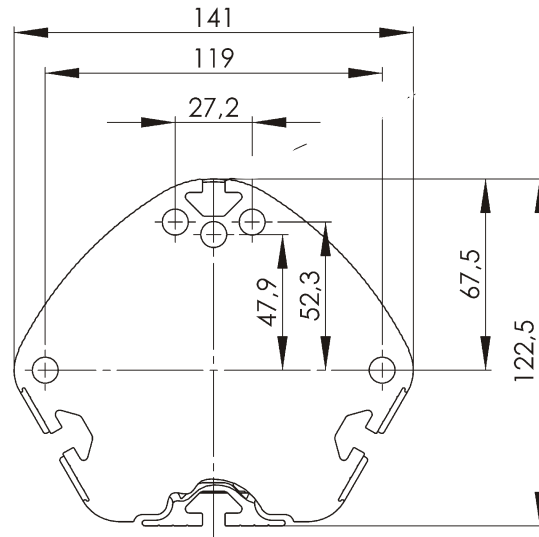
The I140 slideway lifter is also suitable for dual lifter applications, employing a synchronous control unit. This heavy duty lifter is for example employed for height adjustment of large plasma and LCD screens and equally for industrial work benches.

I 140/MI Slideway Lifter

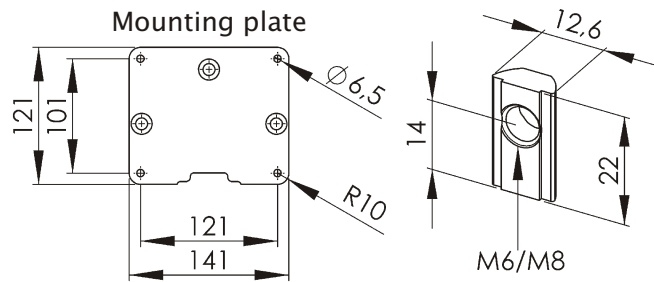
IM140XYYYZZZCCC24



Max. Stroke = Length - 255mm



Accessoires



Force [N] without load	Tr12 x 3	1800
	Tr12 x 6	1200
	Tr12 x 12	800
	Tr12 x 16	600
Speed [mm/s]	Tr12 x 3	10
	Tr12 x 6	15
	Tr12 x 12	25
	Tr12 x 16	30

I - 140 MI

Duty rating	10% (S3)
Insulation class	E
Enclosure rating	IP 42
Cable connection	1,7m; connector 8-pin
Voltage [V]	12.....36
Current [A]	1,5.....8
Motor rating [W]	30.....80
Maximum power [W]	< 200
Gear ratio	1:15,6
Pulse Transmitter	Encoder: 2 pulse / rotor revolution
Limit switches	2x integrated

I 140/ST Slideway Lifter

IS140XYYYZZZZDDDD24



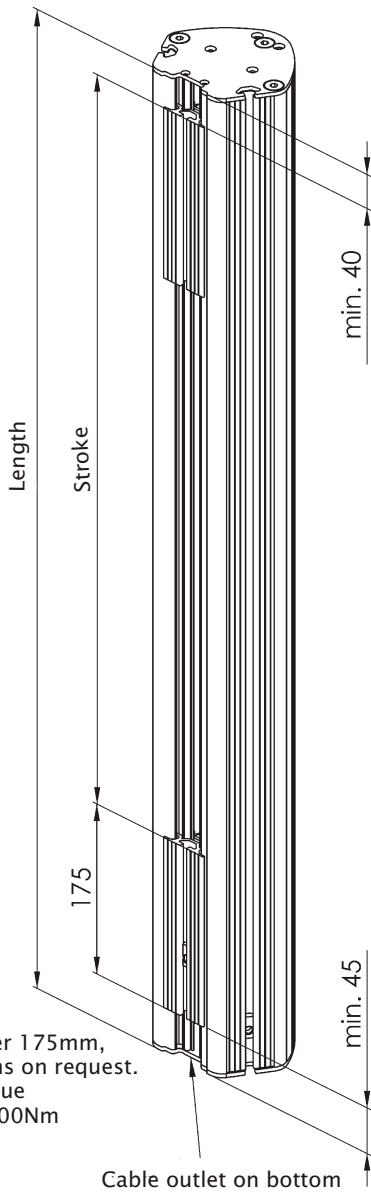
I-140/ST

Heavy duty slideway lifter employing large section aluminium profile suitable for lifting forces of up to 1800N and linear speeds to 50mm/sec. Internal gear motor drive is available with several lead screw pitch variants.

The I140 slideway lifter is also suitable for dual lifter applications, employing a synchronous control unit. This heavy duty lifter is for example employed for height adjustment of large plasma and LCD screens and equally for industrial work benches.

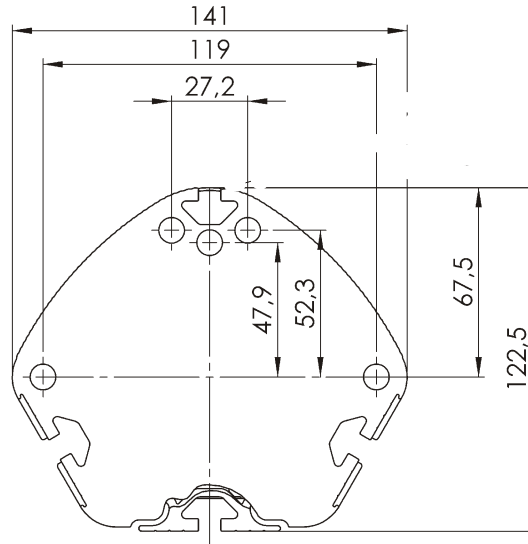
I 140/ST Slideway Lifter

IS1 40XYYYZZZDDDD24

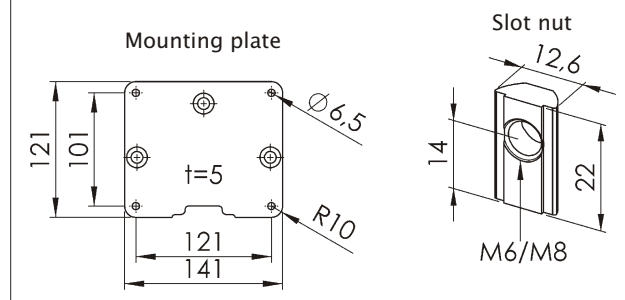


Length Slider 175mm,
 other lengths on request.
 Statical torque
 175mm = 200Nm

Max. Stroke = Length - 260mm



Accessoires



Force [N] without load	Tr12 x 3	1800
	Tr12 x 6	1200
	Tr12 x 12	800
	Tr12 x 16	600
Speed [mm/s]	Tr12 x 3	10
	Tr12 x 6	15
	Tr12 x 12	25
	Tr12 x 16	30

I - 140 ST

Duty rating	10% (S3)
Insulation class	E
Enclosure rating	IP 42
Cable connection	1,5m; 8-pin plug
Voltage [V]	12.....36
Current [A]	1,5.....8
Motor rating [W]	30.....80
Maximum power [W]	< 200
Gear ratio	1:15,6
Pulse Transmitter	Encoder: 2 pulse / rotor revolution
Limit switches	2x integrated

ACTUATORS

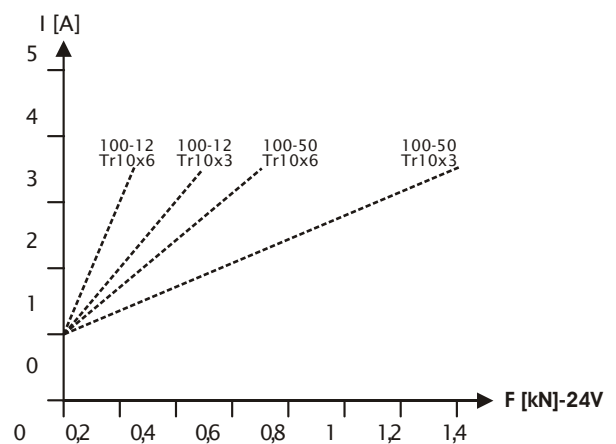
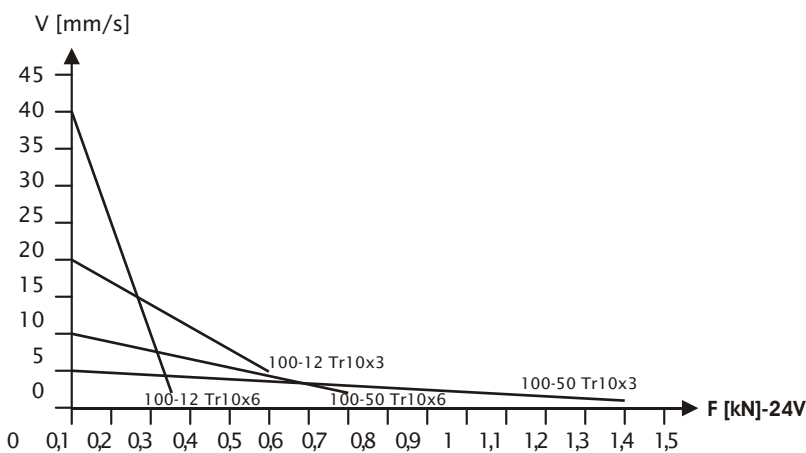
100/12	 101XXXXXXXXXAAA24	200 S	 20SXXXXXXXXXLLL24
100/50	 105XXXXXXXXXBBB24	200 KD	 2KDXXXXXXXXXMMM24
110 D	 11DXXXXXXXXXCCC24	200 KS	 2KSXXXXXXXXXNNN24
110 E	 11EXXXXXXXXXDDD24	Koax D	 KDDXXXXXXXXXOOO24
110 S	 11SXXXXXXXXXEEE24	Koax E	 KDEXXXXXXXXXPPP24
120 S	 12SXXXXXXXXXFFFXX	Koax AP2	 AP2XXXXXXXXXQQQ24
120 SE	 12EXXXXXXXXXGGGXX	Koax AP3	 AP3XXXXXXXXXRRR24
140 S	 14SXXXXXXXXXHHH24	S36 D	 36DXXXXXXXXXSSS24
140 D	 14DXXXXXXXXXIII24	S36 E	 36EXXXXXXXXXTTT24
DR-HM S	 DRSXXXXXXXXXJJJ24	S36 W	 36WXXXXXXXXXUUU24
DR-HM D	 DRDXXXXXXXXXKKK24	KT 57	 KTX57XX 70XXXXXXXX24
S37	 Typ 1 S37BXXXXXXXXVVV12 Typ 2 S37BXXXXXXXXWWW12		

100 Actuator 101XXXXXXXXXXAAA24
105XXXXXXXXXXBBB24



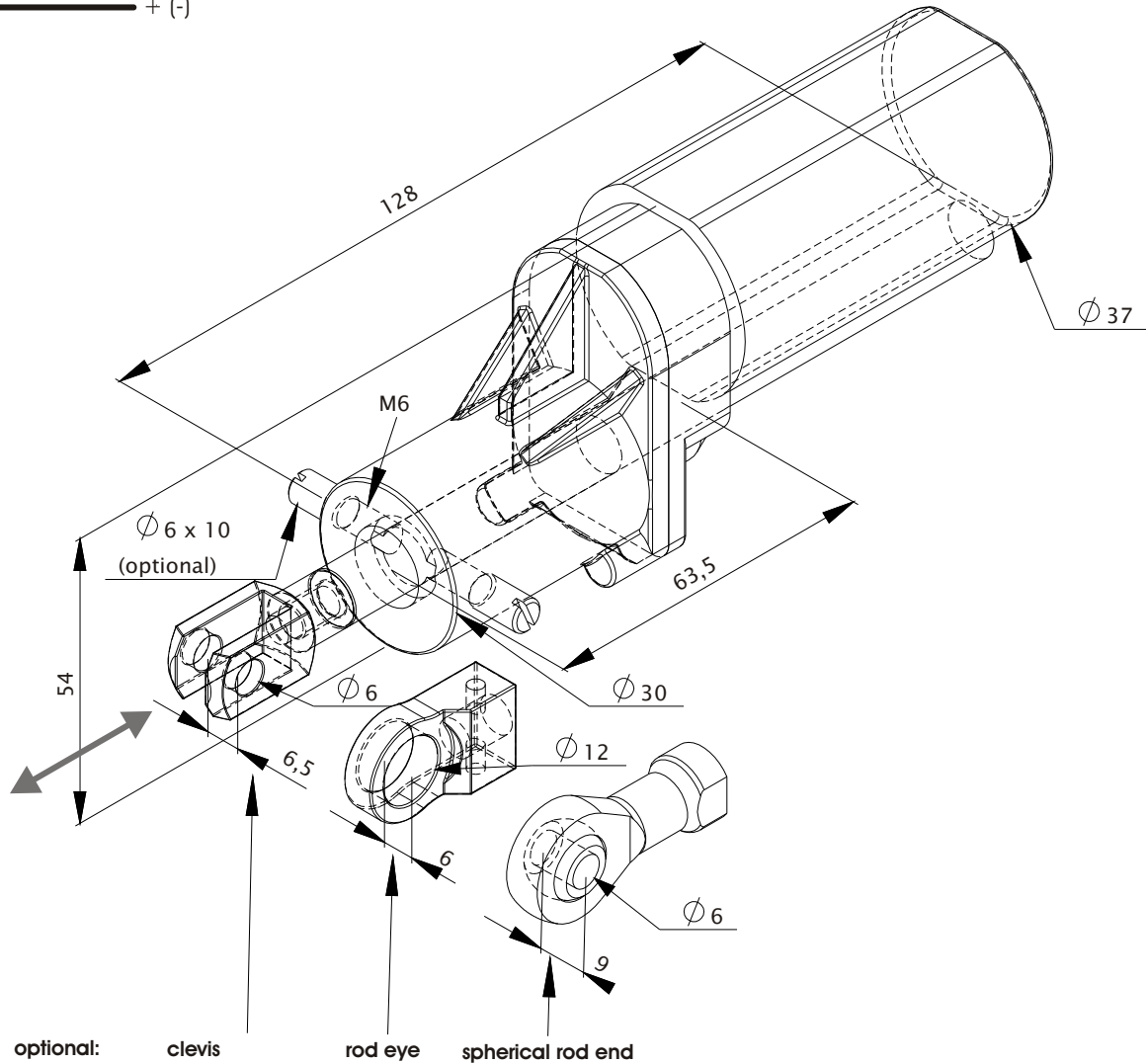
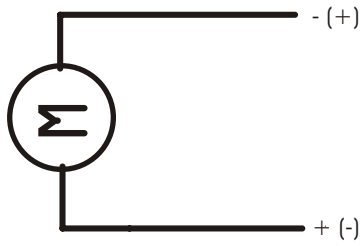
100

Miniature screw jack with DC gear motor drive.
 available with two alternate spur gear variants and with
 two alternate lead screw pitches. External endswitches
 preferred.
 Max. current 2 Amps, suitable for current limit control



100 Actuator

101XXXXXXXXXAAA24
 105XXXXXXXXXB24



Actuator	100 / 12	100 / 50
Duty rating	10% (S3)	
Insulation class	E	
Protection rating	IP41	
Weight (without piston) kg	0,45	
Cable connection	Tab 4,8 x 0,5	
Voltage [V]	12.....36	
Current [A]	1,5.....3,5	
Nominal rating [W]	10.....40	
Maximum power [W]	50.....80	
Gear ratio	1 : 12	1 : 50
Pulse Transmitter	-	
Limit switches	-	

Lifting capacity [N] 24V	Tr10 x 3	500	1400
	Tr10 x 6	250	700
Linear Speed [mm/s] 24V	Tr10 x 3	20	5
	Tr10 x 6	40	10

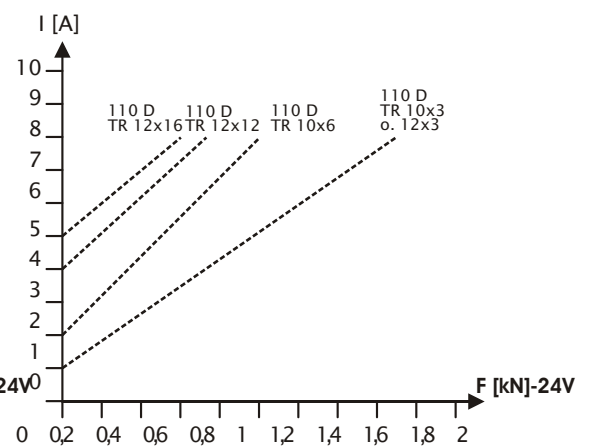
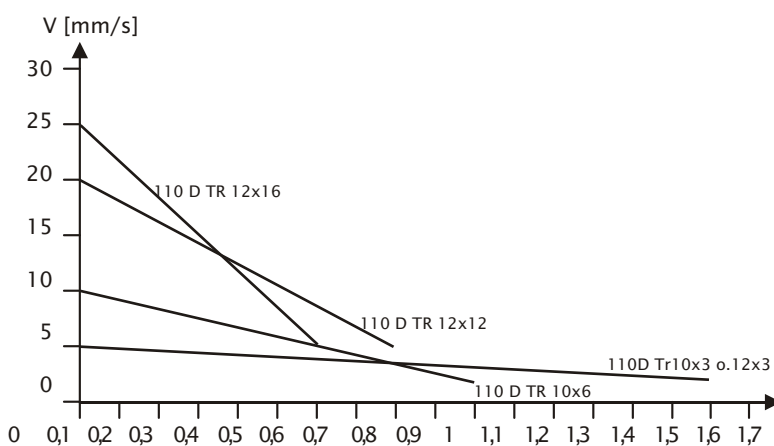
110 D Actuator

11DXXXXXXXXXCCC24



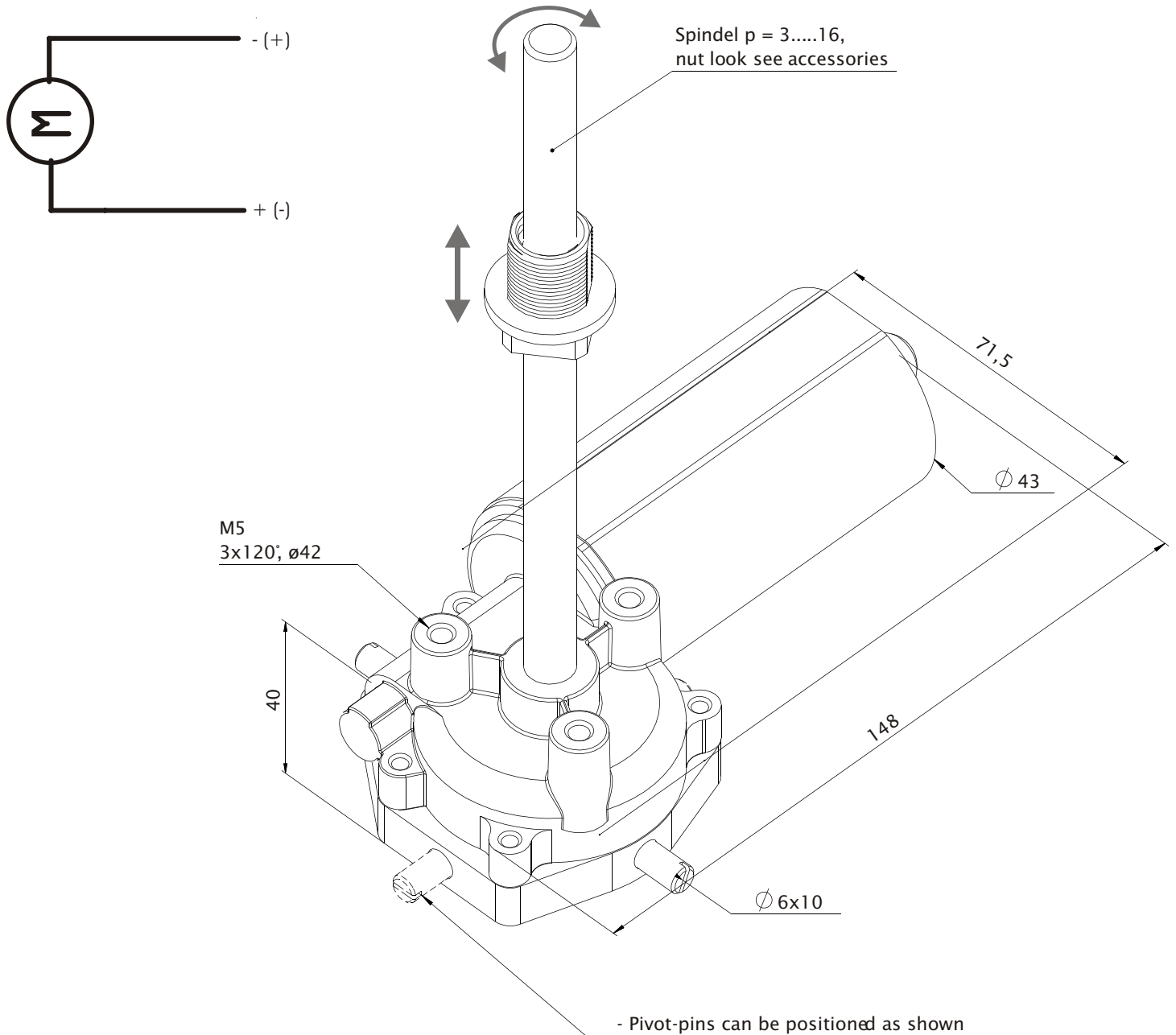
110 D

Miniature screw jack with DC motor and worm gear drive, rotating lead screw, travelling nut. External endswitches preferred. Suitable for current limiting control, Max. 6 Amps.



110 D Actuator

11DXXXXXXXXXCCC24



Actuator	110 / D
Duty rating	10% (S3)
Insulation class	E
Protection rating	IP32
Weight (without piston) kg	0,75
Cable connection	2 x 0,5 ² ; 20cm
Voltage [V]	12.....36
Current [A]	1,5.....8,0
Nominal rating [W]	30.....80
Maximum power [W]	200
Gear ratio	1 : 62
Pulse Transmitter	-
Limit switches	-

Lifting capacity [N] 24V	Tr10 x 3	1600
	Tr10 x 6	1000
	Tr12 x 3	1600
	Tr12 x 12	800
Linear Speed [mm/s] 24V	Tr12 x 16	600
	Tr10 x 3	5
	Tr10 x 6	10
	Tr12 x 3	5
	Tr12 x 12	20
	Tr12 x 16	25

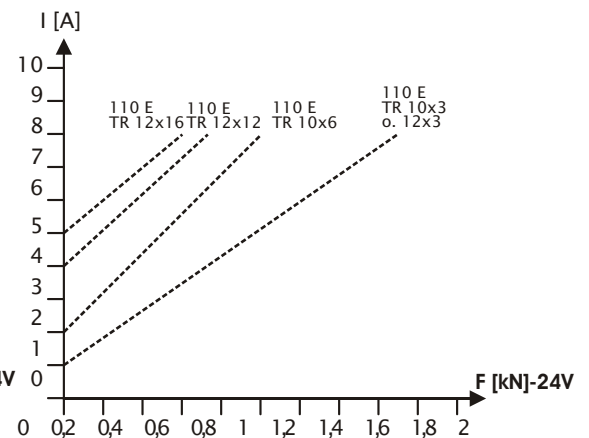
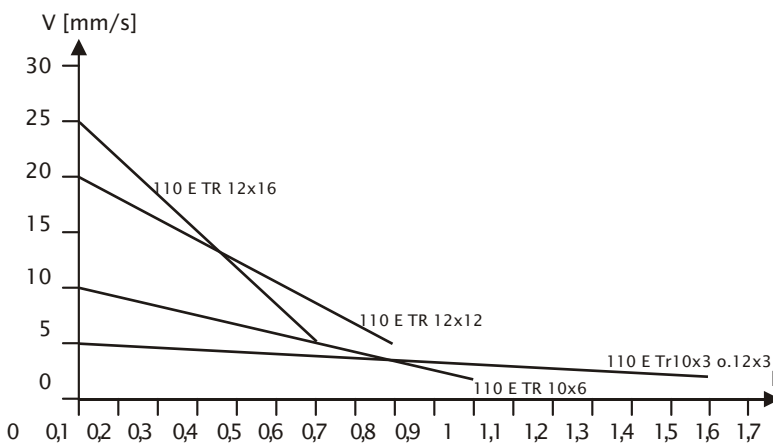
110 E Actuator

11EXXXXXXXXXXDDD24



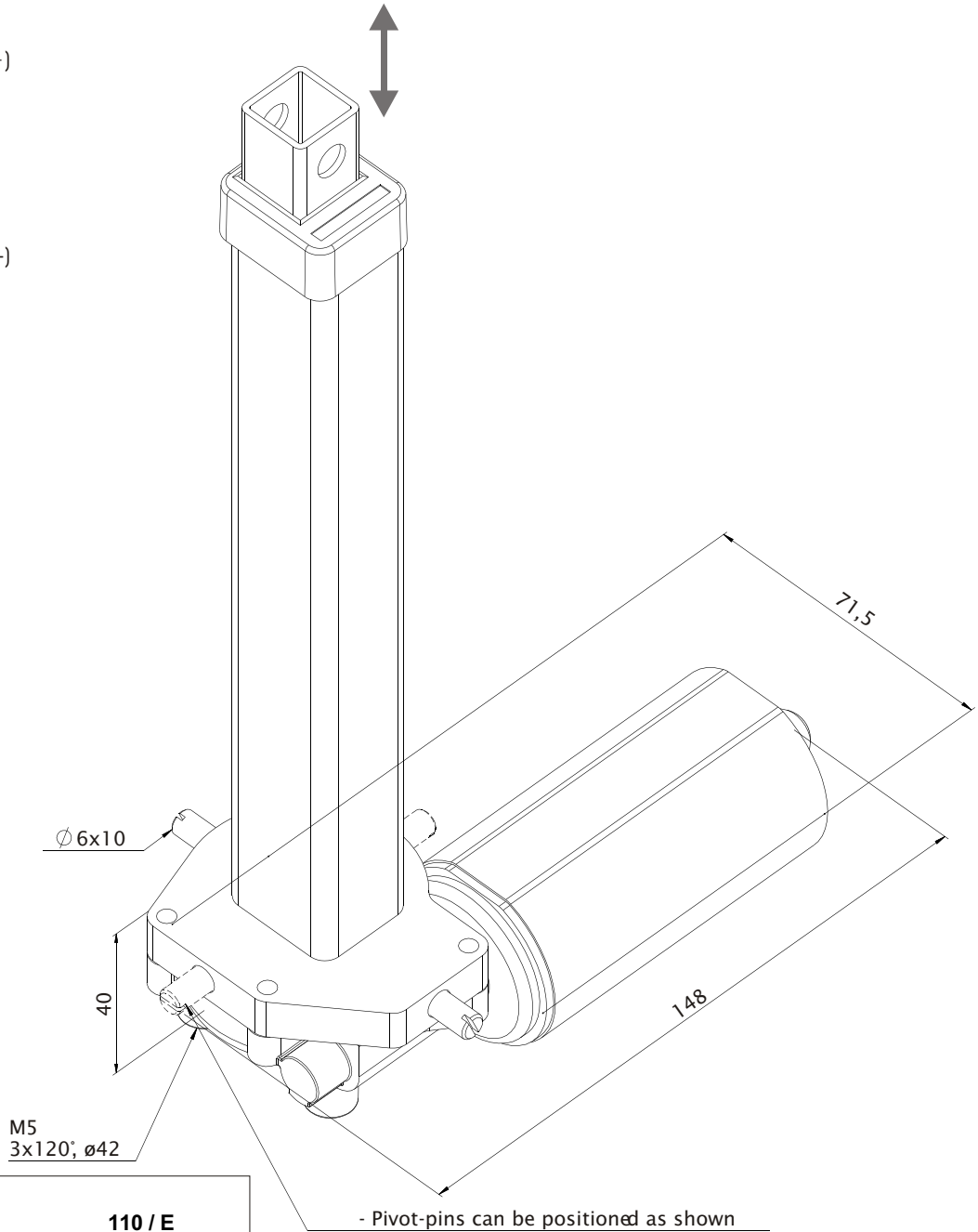
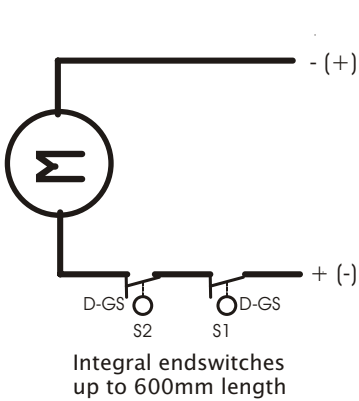
110 E

DC motor actuator with worm gearing, actuator piston in Steel (option POM) and guide tube with integral limit switches (fixed stroke).



110 E Actuator

11EXXXXXXXXXXDDD24



Actuator

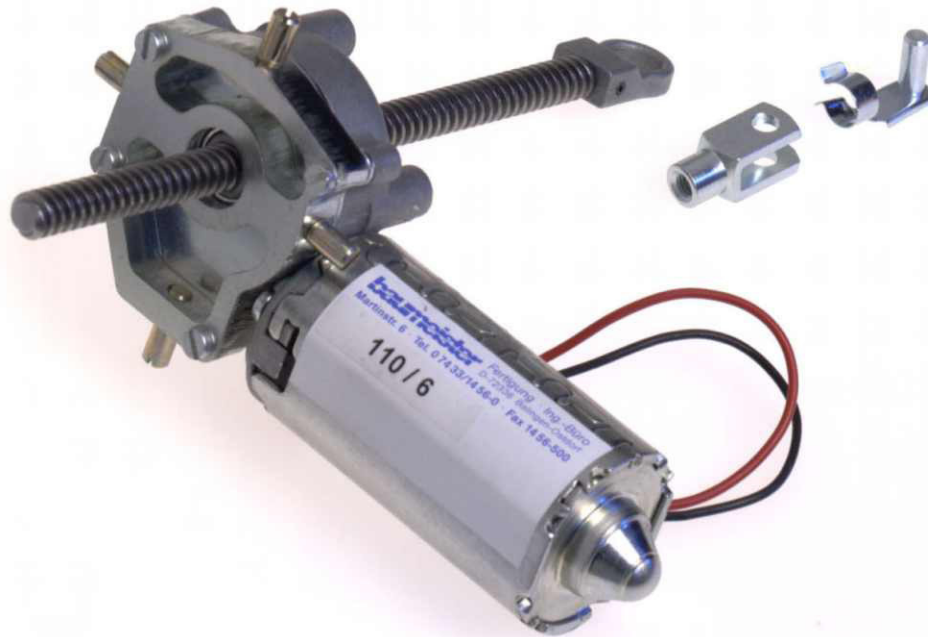
110 / E

Duty rating	10% (S3)
Insulation class	E
Protection rating	IP32
Weight (w ithout piston) kg	0,75
Cable connection	1,8m; MAS80S
Voltage [V]	12.....36
Current [A]	1,5.....8,0
Nominal rating [W]	30.....80
Maximum power [W]	200
Gear ratio	1 : 62
Pulse Transmitter	-
Limit sw itches	2x integrated

Lifting capacity [N] - 24V	Tr10 x 3	1600
	Tr10 x 6	1000
	Tr12 x 3	1600
	Tr12 x 12	800
Linear Speed [mm/s] - 24V	Tr12 x 16	600
	Tr10 x 3	5
	Tr10 x 6	10
	Tr12 x 3	5
	Tr12 x 12	20
	Tr12 x 16	25

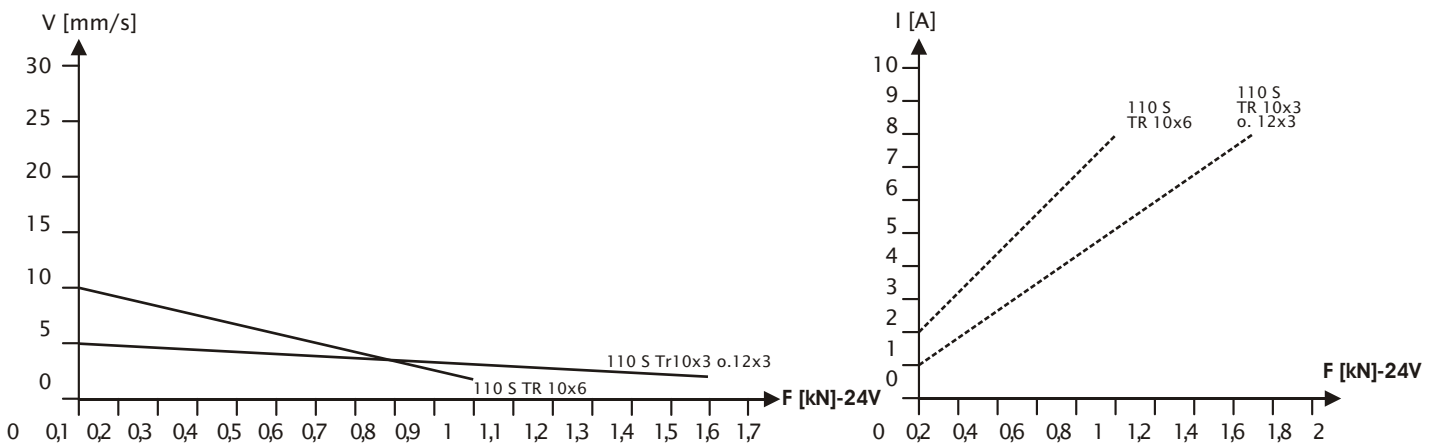
110 S Actuator

11SXXXXXXXXXEEE24



110 S

Miniature screw jack with DC motor and worm gear. Travelling screw with optional end fittings. suitable for current limiting control, Max. 6 Amps or external limit switches (prefered).



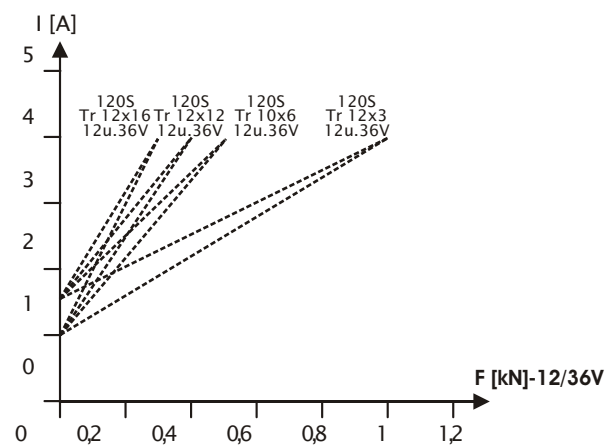
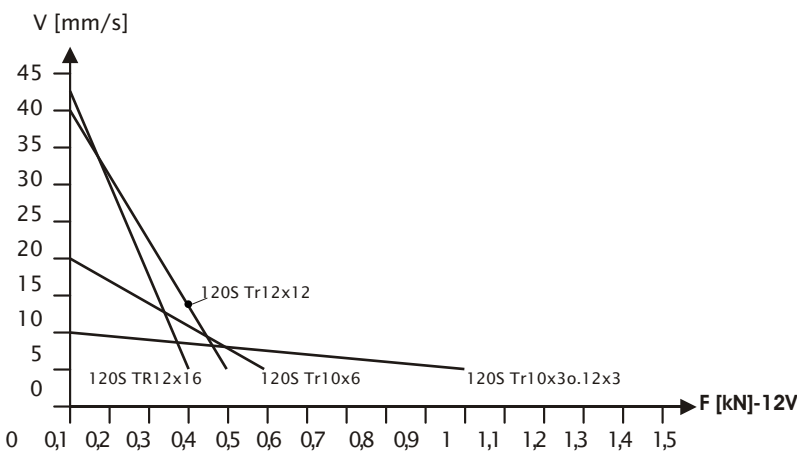
120 S Actuator

12SXXXXXXXXXXFFFX



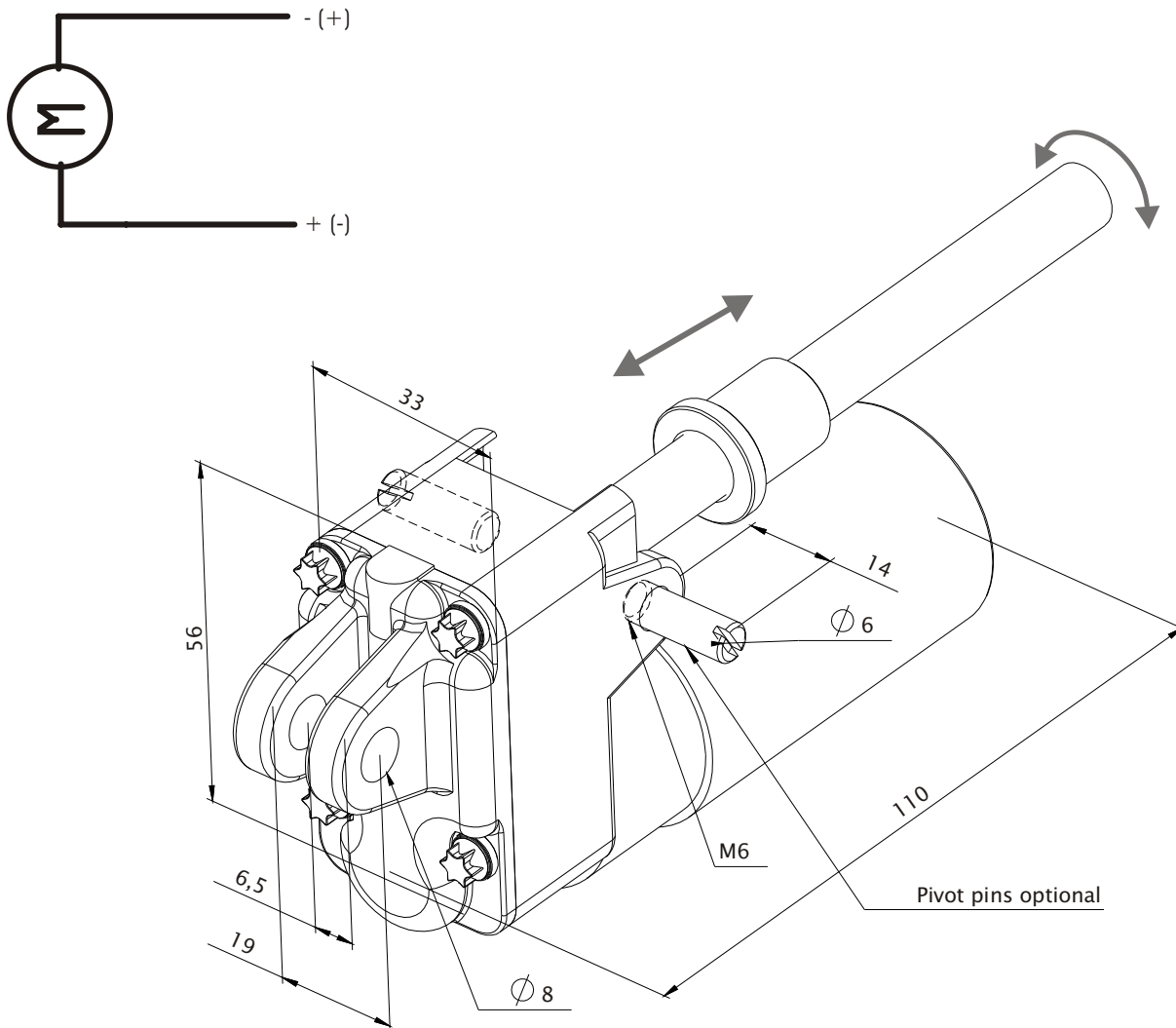
120 S

DC actuator with parallel spur gear drive and very compact build dimensions. Max. 4 amps., suitable for current limit control or external limit switches (preferred).



120 S Actuator

12SXXXXXXXXXXXXFFXX



Actuator	120 S	
	-12V	-36V
Duty rating	10% (S3)	
Insulation class	E	
Protection rating	IP41	
Weight (w without piston) kg	?	
Cable connection	Liyy 2x0,25 ² ; 1,5m	
Voltage [V]	12.....24	24.....36
Current [A]	1,5.....4	
Nominal rating [W]	10.....40	
Maximum power [W]	50.....80	
Gear ratio	1 : 27	
Pulse Transmitter	Infineon 4935L; 1 pulse per rotor revolution (optional)	
Limit switches	-	

		12V	36V
Lifting capacity [N]	Tr10 x 3	1000	1200
	Tr10 x 6	500	600
	Tr12 x 3	1000	1200
	Tr12 x 12	400	500
	Tr12 x 16	300	400
Linear Speed [mm/s]	Tr10 x 3	10	12
	Tr10 x 6	20	25
	Tr12 x 3	10	12
	Tr12 x 12	40	45
	Tr12 x 16	45	50

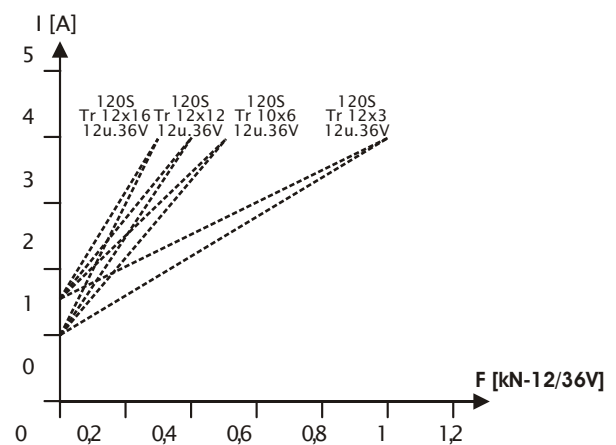
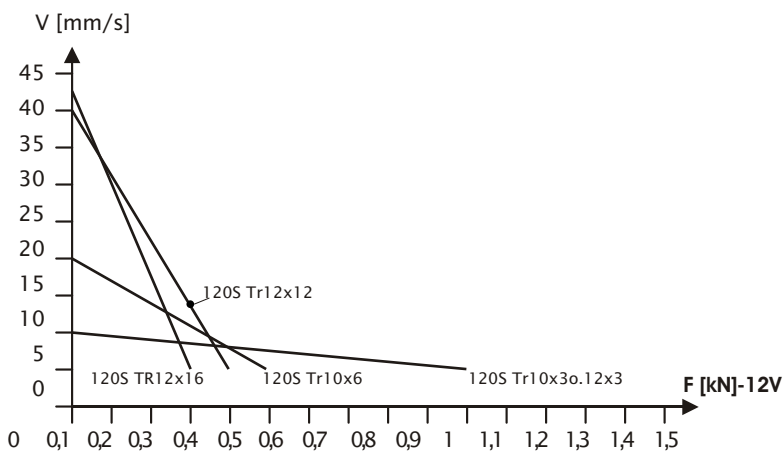
120 SE Actuator

12EXXXXXXXXXGGGX

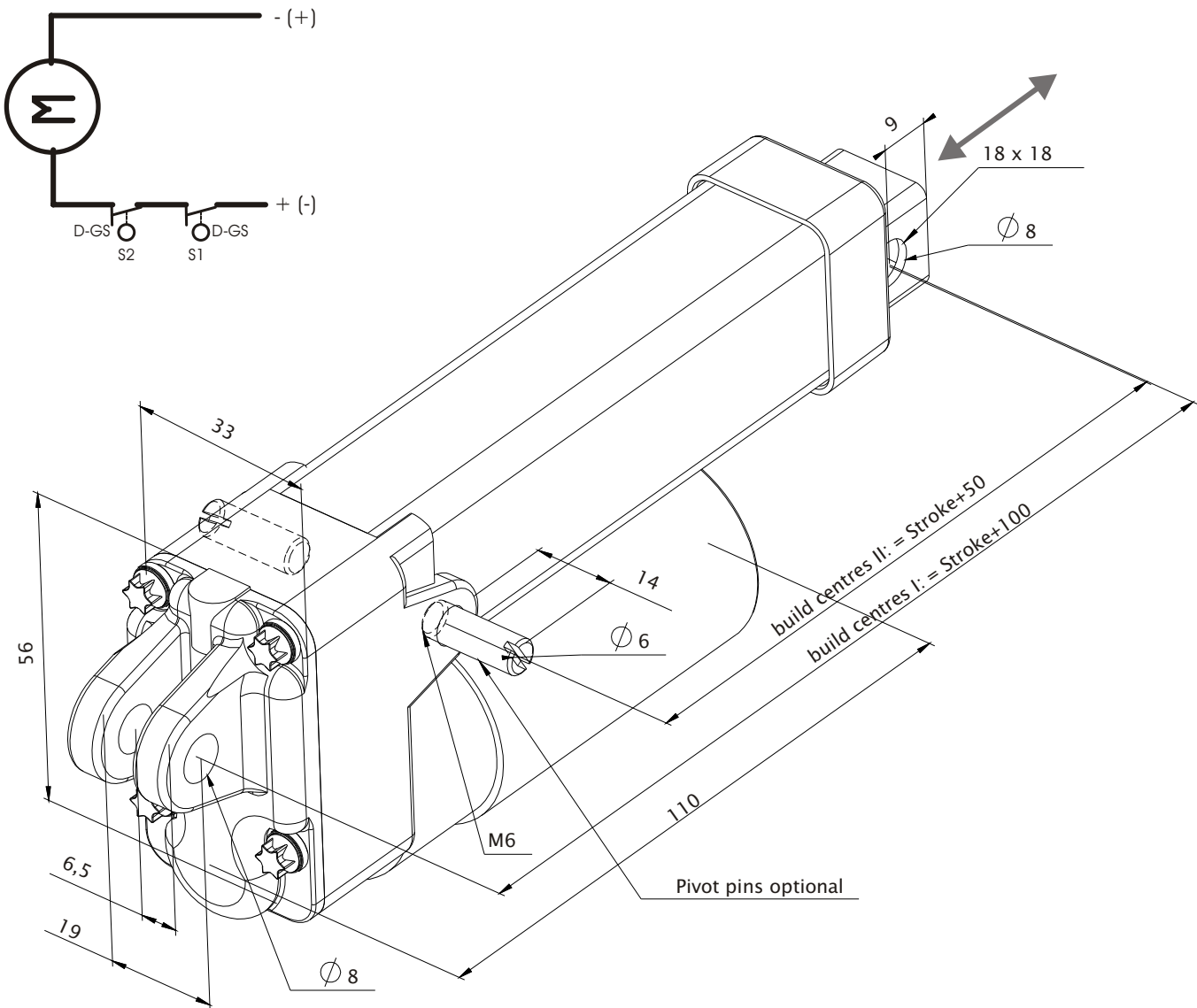


120 SE

DC actuator with parallel spur gear drive and very compact build dimensions. Guide tube has integral (fixed stroke) limit switches for stroke control. Actuator piston in steel, POM optional.



120 SE Actuator **12EXXXXXXXXXGGGX**



Actuator	120 SE	
	12V	36V
Duty rating	10% (S3)	
Insulation class	E	
Protection rating	IP41	
Weight (w without piston) kg	?	
Cable connection	Liy 2x0,25 ² ; 1,5m	
Voltage [V]	12.....24	24.....36
Current [A]	1,5.....4	
Nominal rating [W]	10.....40	
Maximum power [W]	50.....80	
Gear ratio	1 : 27	
Pulse Transmitter	Infineon 4935L; 1pulse per rotor revolution(optional)	
Limit switches	2 x integrated	

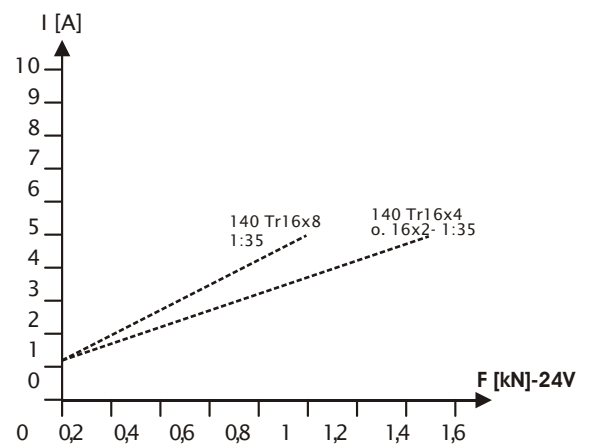
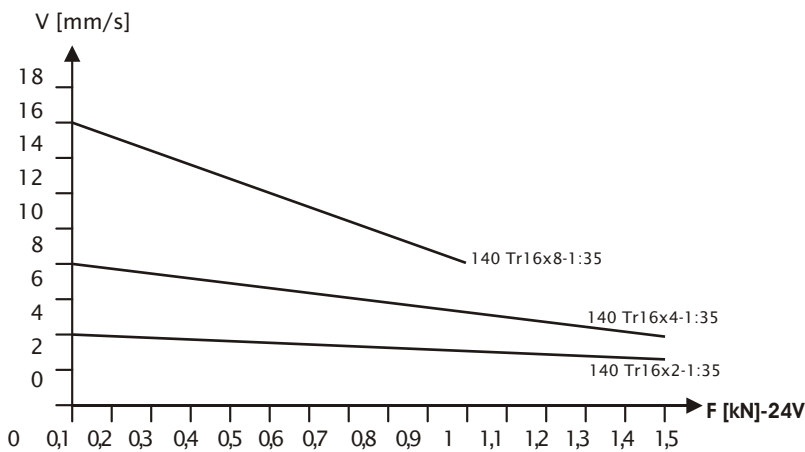
	12V	36V	
Lifting capacity [N]	Tr10 x 3	1000	1200
	Tr10 x 6	500	600
	Tr12 x 3	1000	1200
	Tr12 x 12	400	500
	Tr12 x 16	300	400
Linear Speed [mm/s]	Tr10 x 3	10	12
	Tr10 x 6	20	25
	Tr12 x 3	10	12
	Tr12 x 12	40	45
	Tr12 x 16	45	50

140 S Actuator 14SXXXXXXXXXHHH24



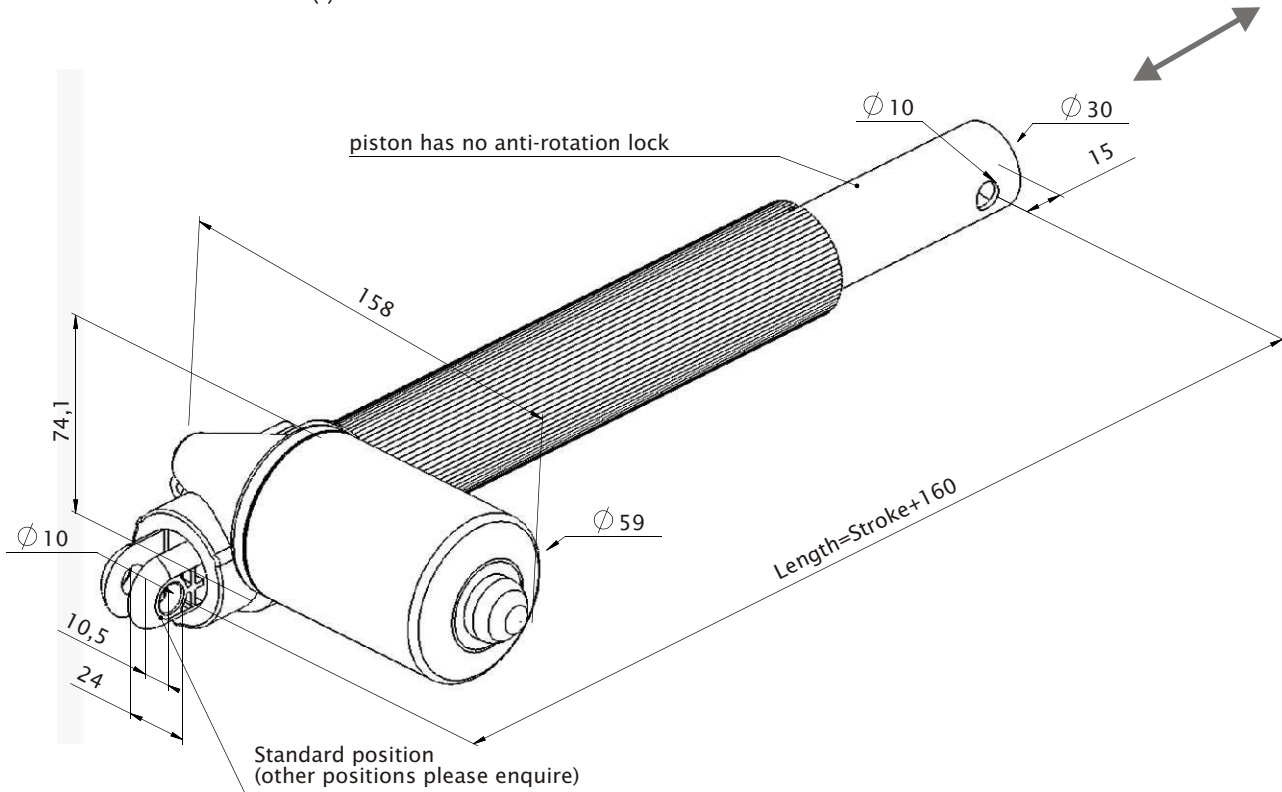
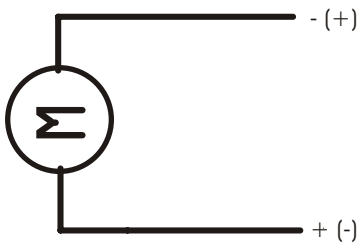
140 S

DC linear actuator with worm gear drive, two alternate gear motors. For applications using current limiting, 5 Amp stroke control or external limit switches (preferred).



140 S Actuator

14SXXXXXXXXXXHHH24



Actuator	140 / S
Duty rating	10% (S3)
Insulation class	E
Protection rating	bis IP54
Weight (w ithout piston) kg	0,9
Cable connection	LiYY 2 x 0,5 ² ; 50cm
Voltage [V]	24.....36
Current [A]	1,5.....5,0
Nominal rating [W]	40.....60
Maximum power [W]	150
Gear ratio	1 : 35 - 2 : 35
Pulse Transmitter	Infineon 4935L; 1 pulse per rotor revolution
Limit switches	-

		1 : 35	2 : 35
Lifting capacity [N] - 24V	Tr16 x 2	1500	-
	Tr16 x 4	1500	-
	Tr16 x 8	1000	500
Linear Speed [mm/s] - 24V	Tr16 x 2	4	8
	Tr16 x 4	8	16
	Tr16 x 8	16	32

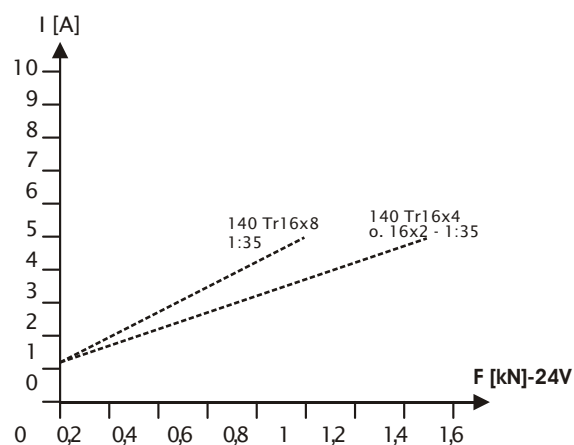
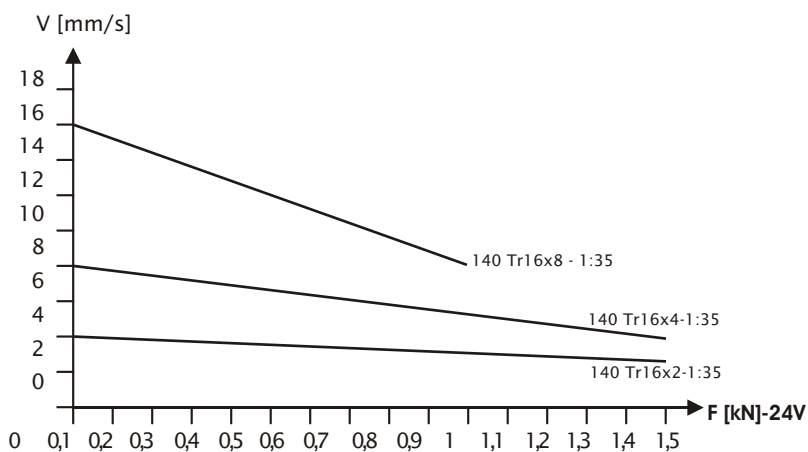
140 D Actuator

14DXXXXXXXXXIII24



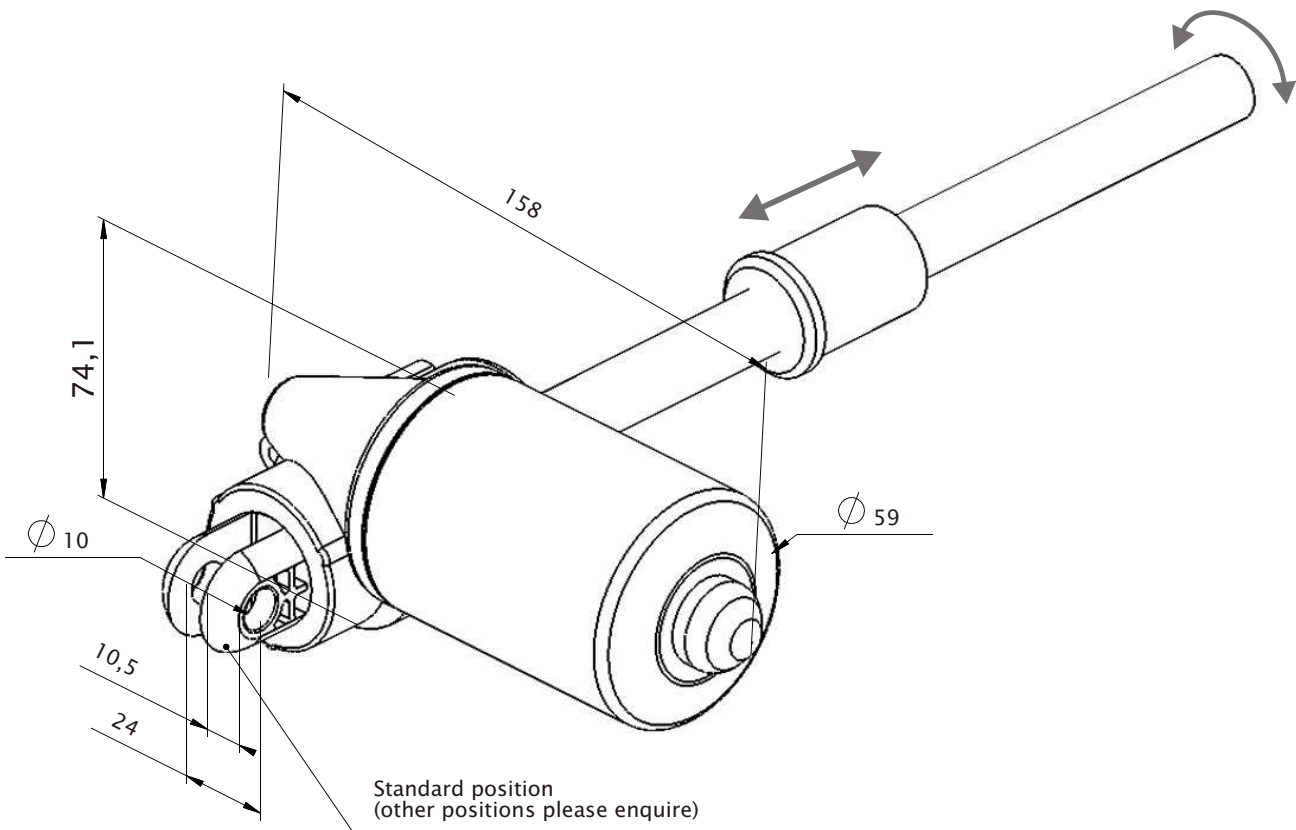
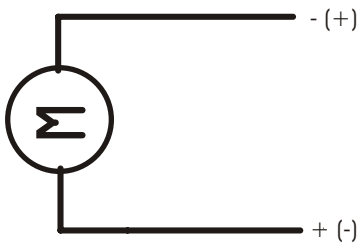
140 D

DC linear actuator with worm gear drive, two alternate gear ratios. For applications using current limiting 5 Amp.



140 D Actuator

14DXXXXXXXXXXIII24



Actuator	140 / D
Duty rating	10% (S3)
Insulation class	E
Protection rating	bis IP54
Weight (without piston) kg	0,9
Cable connection	LiYY 2 x 0,5 ² ; 50cm
Voltage [V]	24.....36
Current [A]	1,5.....5,0
Nominal rating [W]	40.....60
Maximum power [W]	150
Gear ratio	1 : 35 2 : 35
Pulse Transmitter	Infineon 4935L; 1 pulse per rotor revolution (optional)
Limit switches	-

		1:35	2:35
Lifting capacity [N]	Tr16 x 2	1500	750
	Tr16 x 4	max.1500	750
	Tr16 x 8	1000	500
Linear Speed [mm/s]	Tr16 x 2	4	8
	Tr16 x 4	8	16
	Tr16 x 8	16	32

DR-HM D Screw jack (Travelling nut)

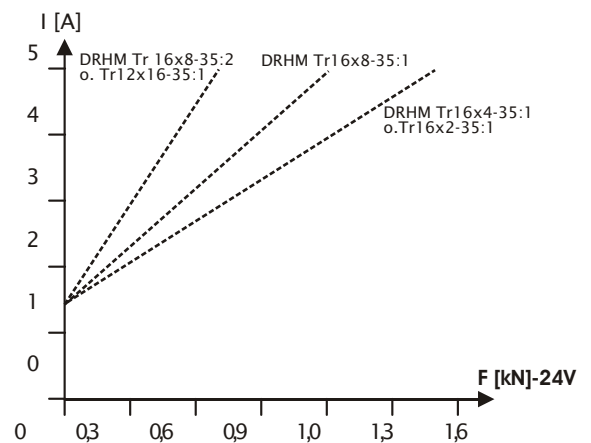
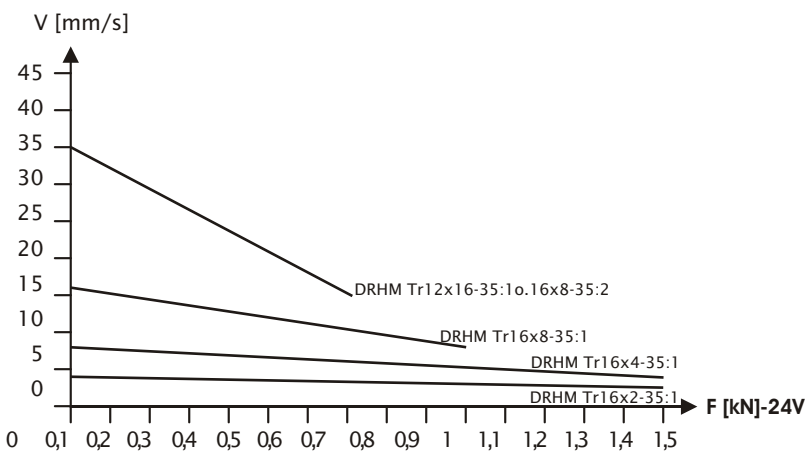
DRDXXXXXXXXXXKKK24



DR-HM D

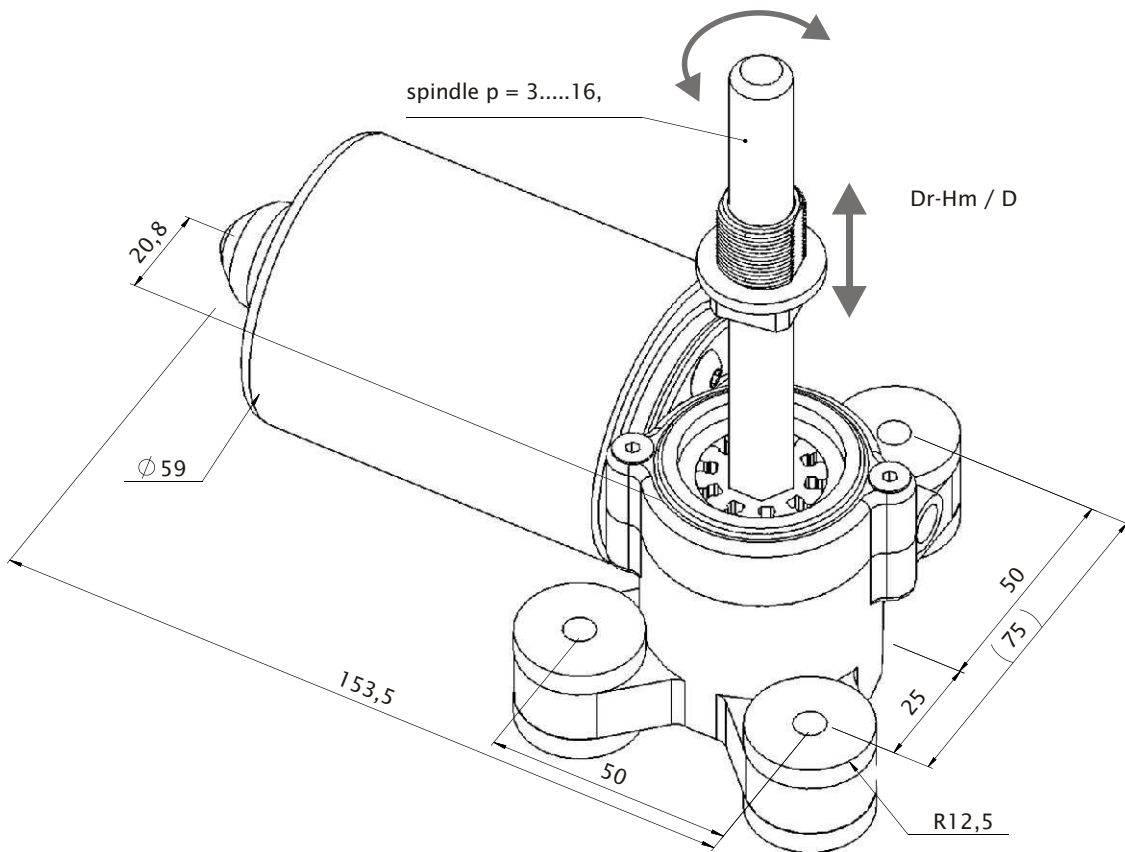
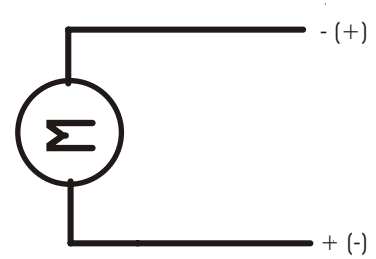
DC motor /mini screw jack with worm gearing, available in two ratios and two screw pitch variants. The Dr-Hm D uses a heavy duty casing and rubber bushing mounting, which makes the drive very quiet in operation. This miniature screw jack is intended for current limiting stroke control (5 Amps) or for use with external limit switches.

A mechanical brake is available for the high linear speed option.



DR-HM D Screw jack (Travelling nut)

DRDXXXXXXXXXXXX24



Rubber dampers for assembly with screws ø6 - 8 - 10

Actuator	Dr-Hm / D
Duty rating	10% (S3)
Insulation class	E
Protection rating	IP32
Weight (without piston) kg	1,3
Cable connection	LiYY 2 x 0,5 ² ; 20cm
Voltage [V]	24.....36
Current [A]	1,5.....5,0
Nominal rating [W]	20.....60
Maximum power [W]	100.....150
Gear ratio	1 : 35 2 : 35
Pulse Transmitter	Infineon 4935L; 1 pulse per rotor revolution (optional)
Limit switches	-

		1.35	2:35
Lifting capacity [N] - 24V	Tr16 x 2	max. 3000	1500
	Tr16 x 4	3000	1500
	Tr16 x 8*	1500	750
	Tr12 x 16*	1000	500
Linear Speed [mm/s] - 24V	Tr16 x 2	4	8
	Tr16 x 4	8	16
	Tr16 x 8*	16	32
	Tr12 x 16*	30	60

* : not self locking, one-sided brake on request

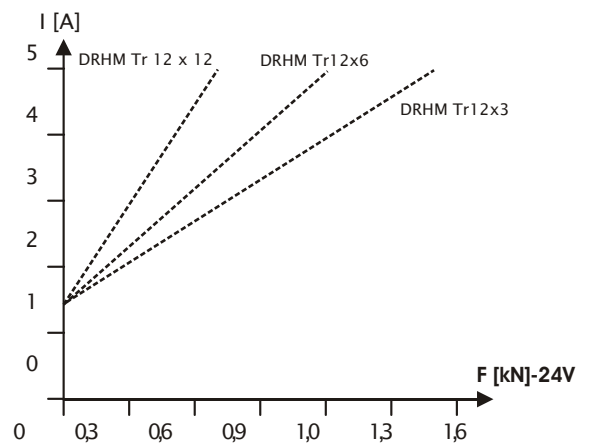
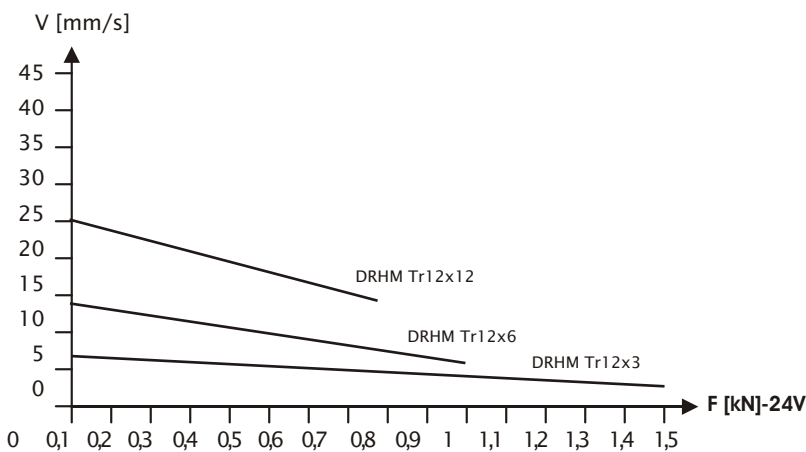
DR-HM S Screw jack (Travelling nut)

DRSXXXXXXXXXJJJ24



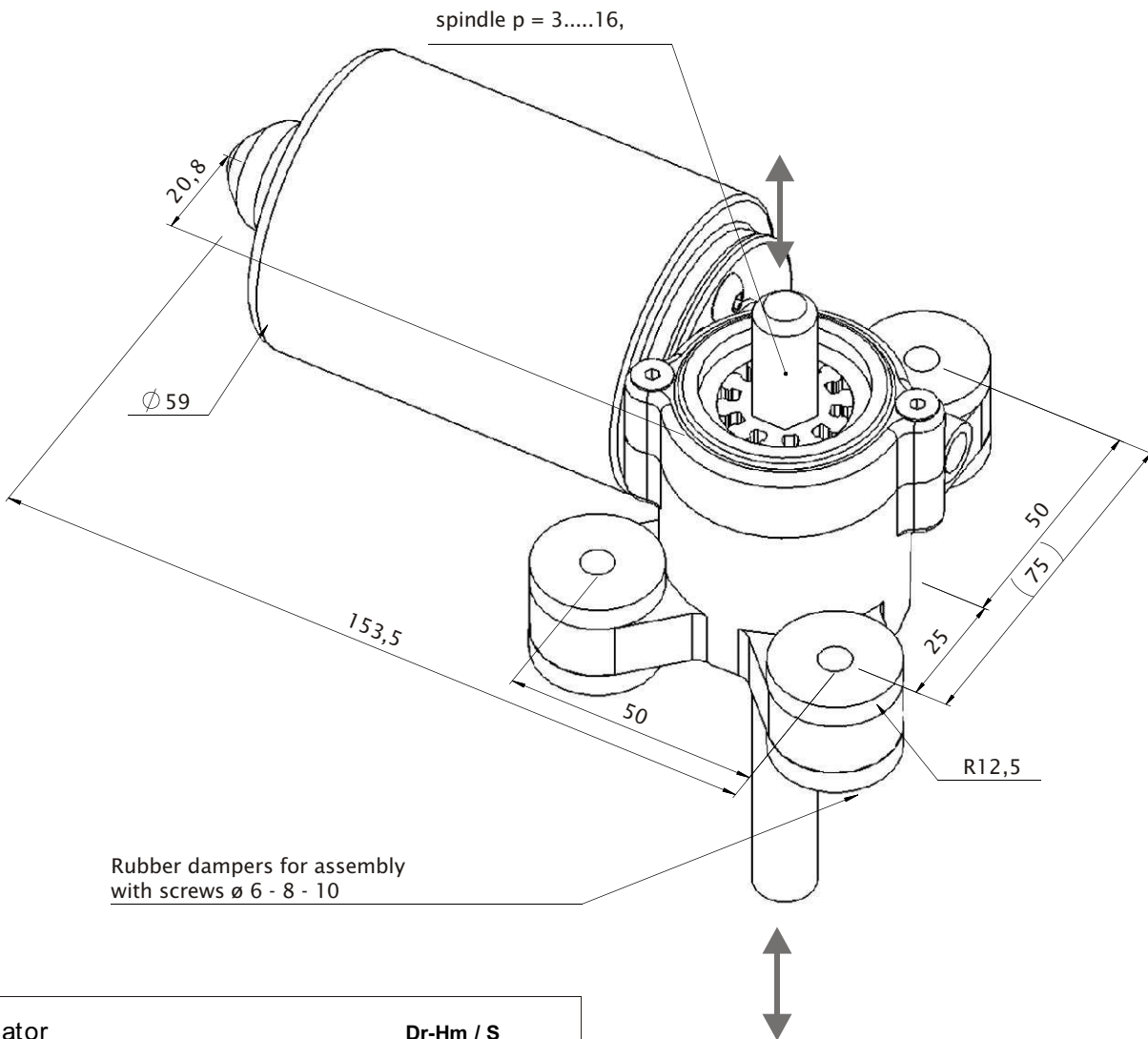
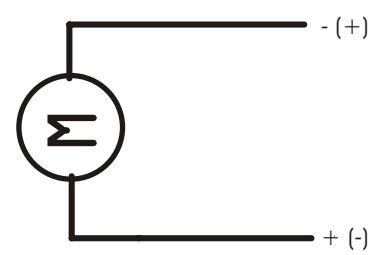
DR-HM S

DC motor mini screw jack with worm gearing, available in two ratios and two screw pitch variants. The Dr-Hm D uses a heavy duty casing and rubber bushing mounting, which makes the drive very quiet in operation. This miniature screw jack is suitable for current limit control (5 amps.) or external limit switches (preferred). A mechanical brake is available for the high linear speed option.



DR-HM S Screw jack (Travelling nut)

DRSXXXXXXXXXJJJ24



Actuator	Dr-Hm / S
Duty rating	10% (S3)
Insulation class	E
Protection rating	IP32
Weight (without piston) kg	1,3
Cable connection	LiYY 2 x 0,5 ² ; 20cm
Voltage [V]	24.....36
Current [A]	1,5.....5,0
Nominal rating [W]	20.....60
Maximum power [W]	100.....150
Gear ratio	1 : 35
Pulse Transmitter	Infineon 4935L; 1 pulse per rotor revolution (optional)

Lifting capacity [N] - 24V	Tr12 x 3	1500
	Tr12 x 6*	1000
	Tr12 x 12*	800
Linear Speed [mm/s] - 24V	Tr12 x 3	6
	Tr12 x 6*	13
	Tr12 x 12*	25

* : not self locking, one-sided brake on request

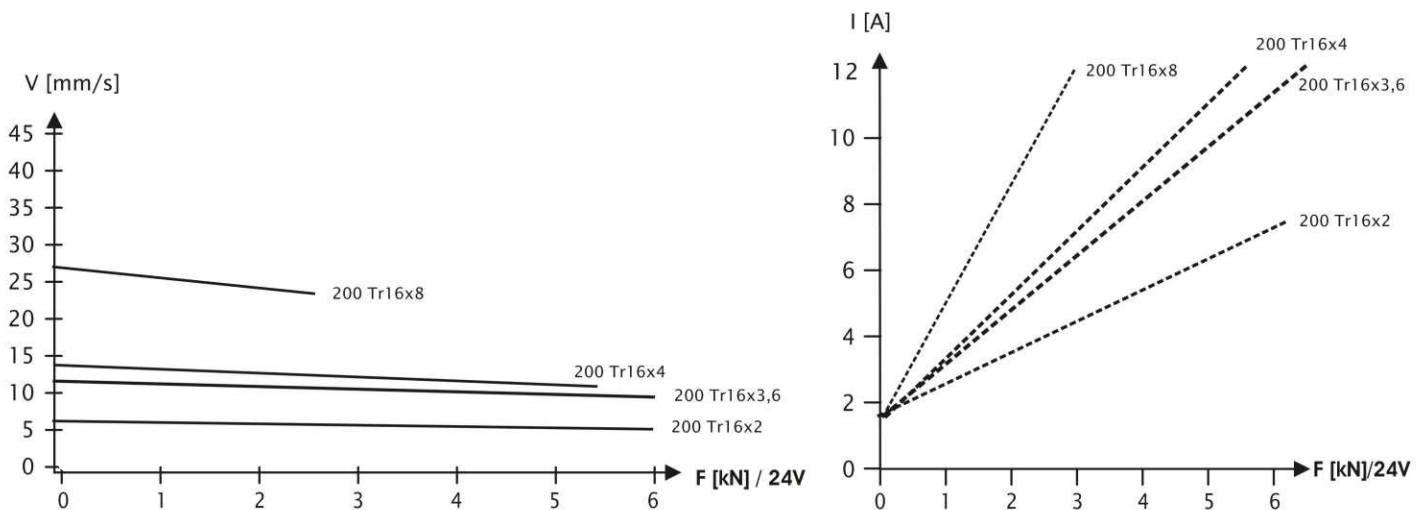
200 S Actuator

20SXXXXXXXXXXLLL24



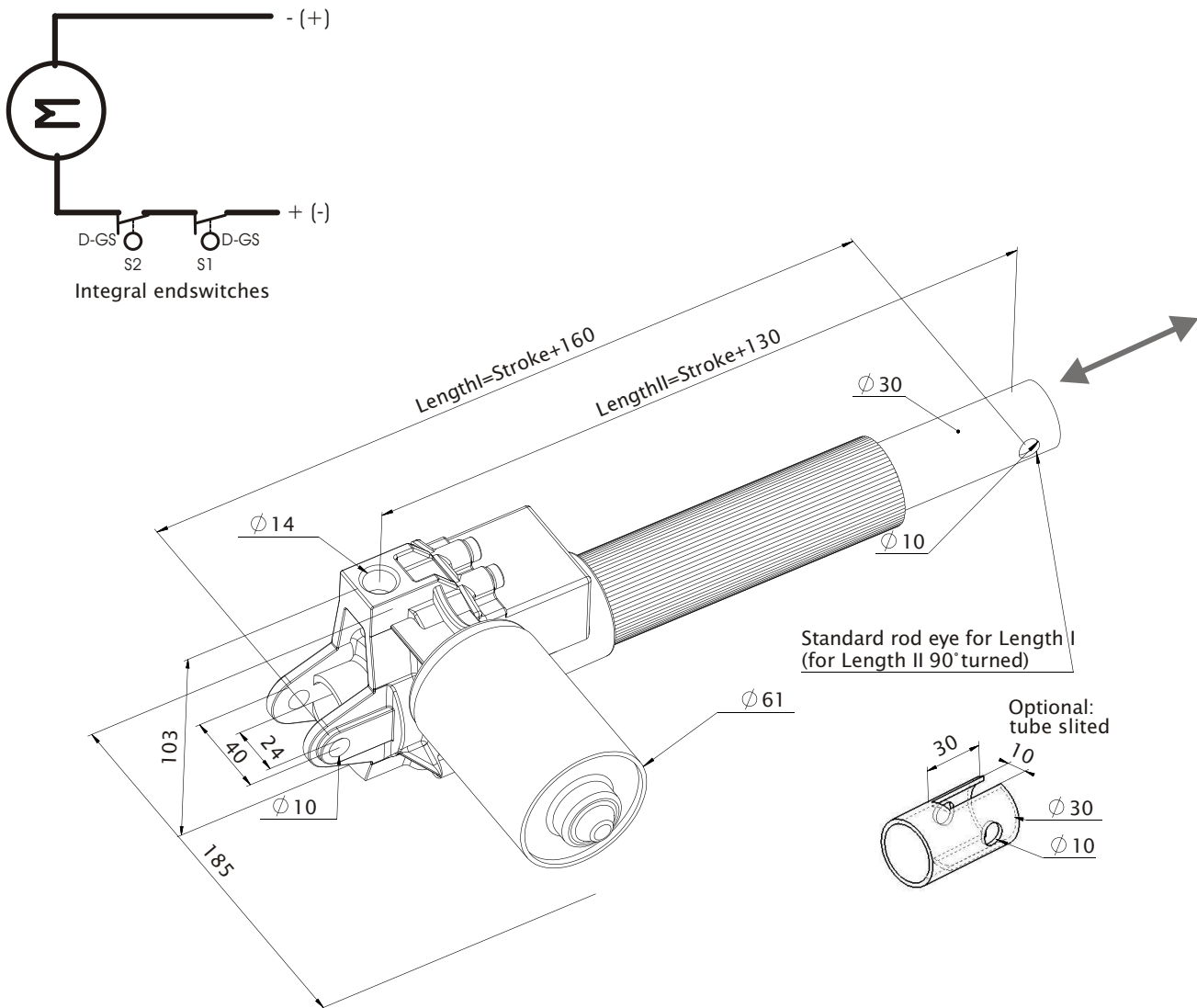
200 S

High performance DC linear actuator with integral limit switches for push and pull loads up to 6000N. Optional clevis or trunnion mount to gearbox. Four lead screw pitch variants.



200 S Actuator

20SXXXXXXXXXXLLL24



Actuator	200 / S
Duty rating	10% (S3)
Insulation class	E
Protection rating	IP43 (opt. IP 54)
Weight (w ithout piston) kg	2,2 kg
Cable connection	LiYY 2 x 0,5 ² ; 50cm
Voltage [V]	24.....48
Current [A]	2.....12
Nominal rating [W]	50.....150
Maximum power [W]	300
Gear ratio	1 : 20,25
Pulse Transmitter	2 Channel Hall Sensor Encoder function optional
Limit sw itches	2x integrated

Lifting capacity [N] 24V	Tr16 x 2	6000
	Tr16 x 3.6	6000
	Tr16 x 4	5400
	Tr16 x 8 *	2700
Linear Speed [mm/s] 24V	Tr16 x 2	6,8
	Tr16 x 3,6	12,3
	Tr16 x 4	13,6
	Tr16 x 8 *	27,2

* : not self locking

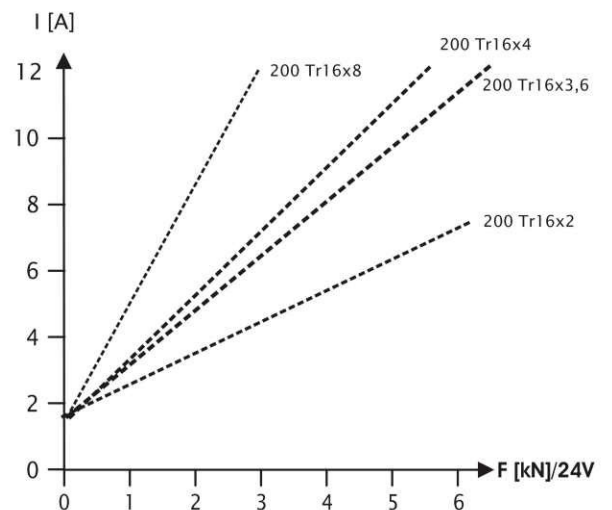
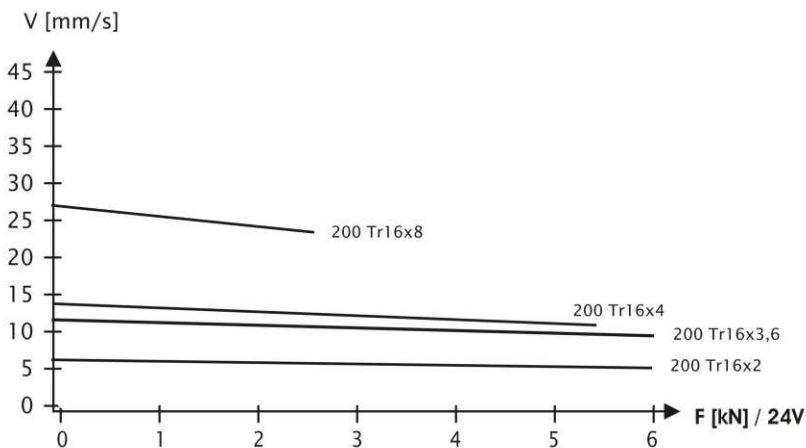
200 KD Actuator

2KDXXXXXXXXXMMM24



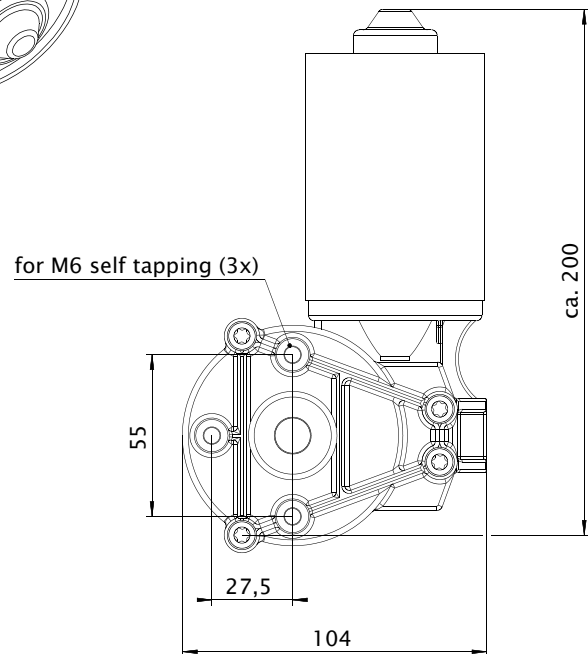
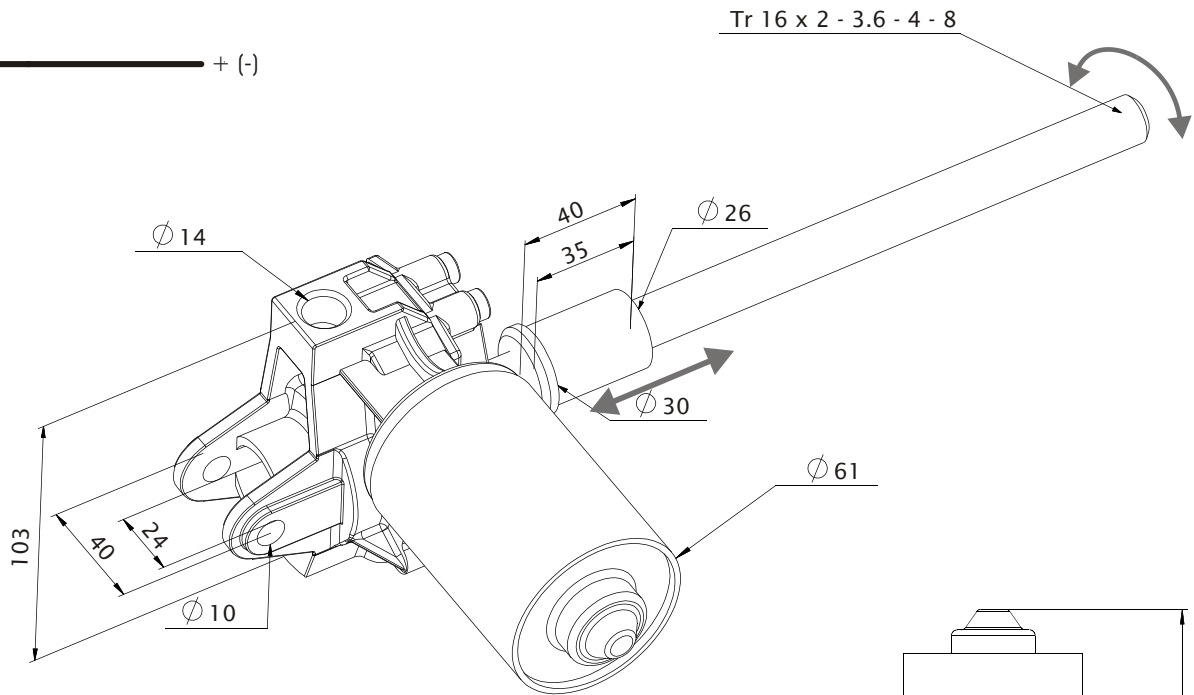
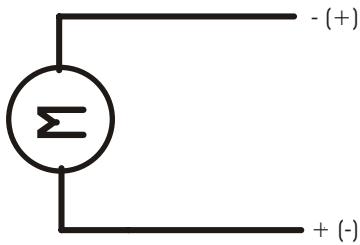
200 KD

High performance DC motor drive screw jack for push and pull forces to 6000N. For applications using current limit control, max. 12 Amps, or for use with external mounted limit switches (preferred). Four lead screw pitch variants are available.



200 KD Actuator

2KDXXXXXXXXXXMMM24



Actuator	200 KD
Duty rating	10% (S3)
Insulation class	E
Protection rating	IP43 (opt. IP 54)
Weight (w without piston) kg	2,2 kg
Cable connection	Tab 6,3 x 0,8
Voltage [V]	24.....48
Current [A]	2.....12
Nominal rating [W]	50.....150
Maximum power [W]	300
Gear ratio	1 : 20,25
Pulse Transmitter	2 Channel Hall Sensor Encoder function optional

Lifting capacity [N] 24V	Tr16 x 2	6000
	Tr16 x 3.6	6000
	Tr16 x 4	5400
	Tr16 x 8 *	2700
Linear Speed [mm/s] 24V	Tr16 x 2	6,8
	Tr16 x 3,6	12,3
	Tr16 x 4	13,6
	Tr16 x 8 *	27,2

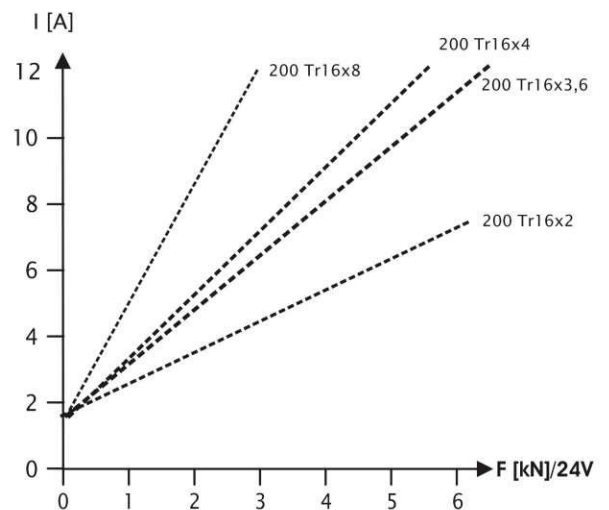
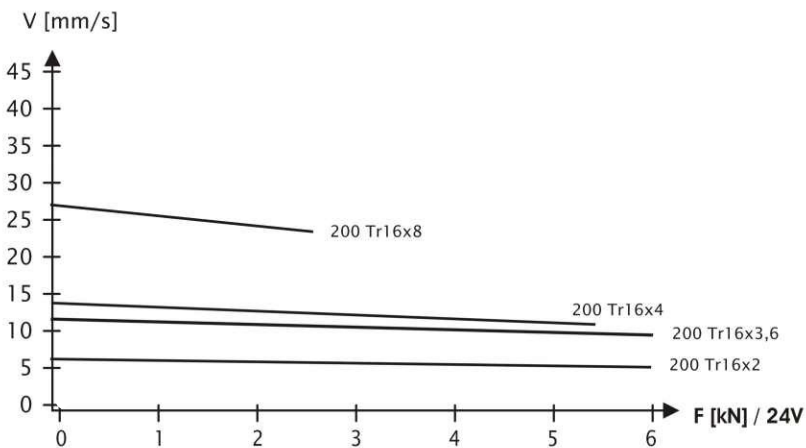
* : not self locking

200 KS Actuator 2KSXXXXXXXXXXNNN24



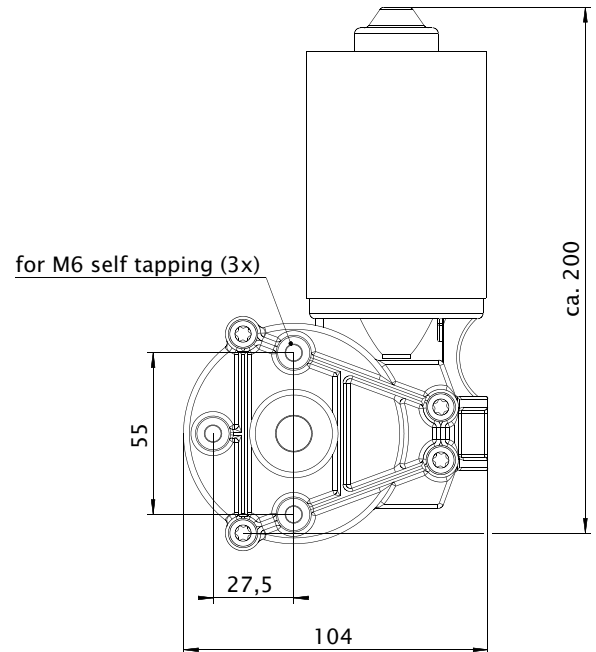
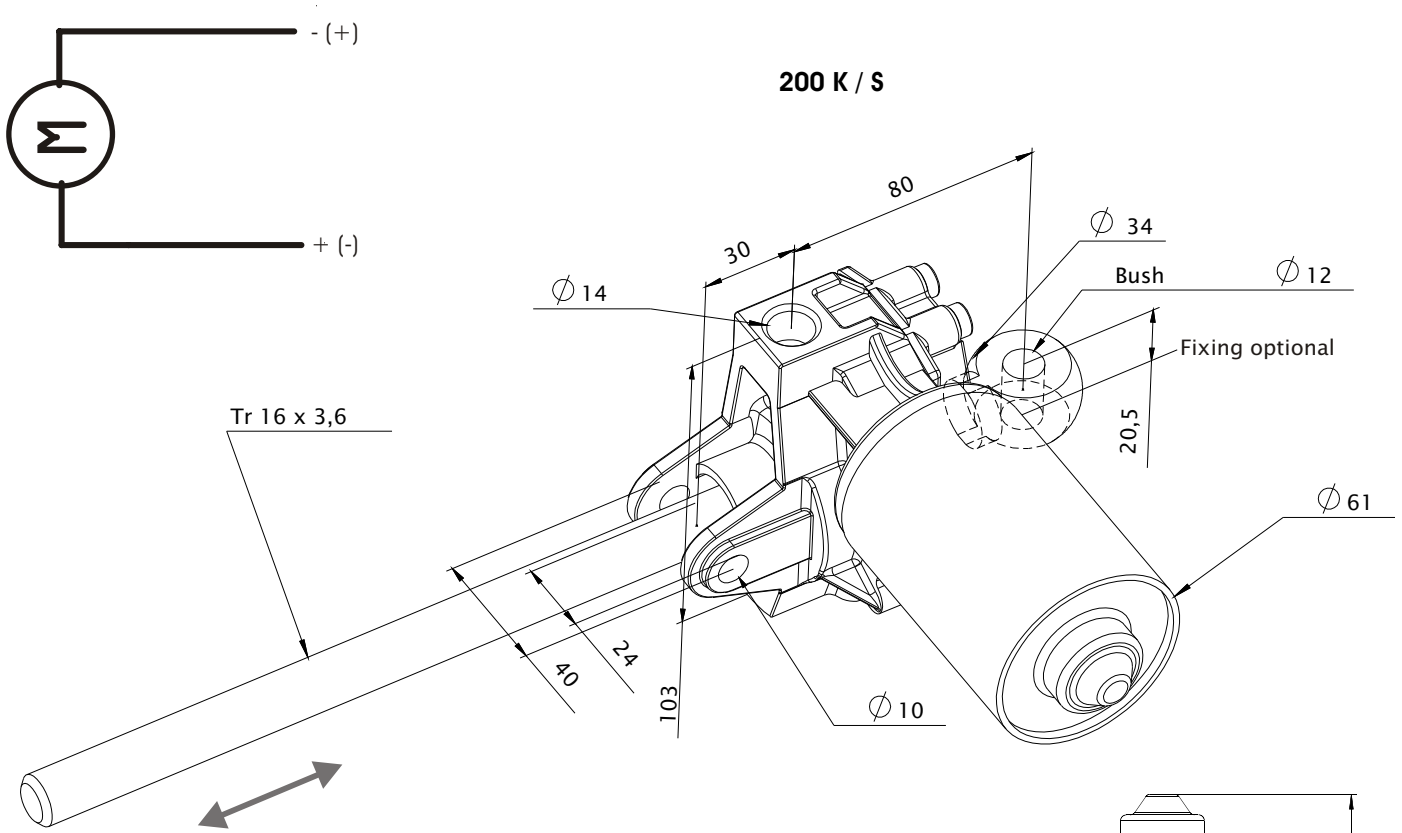
200 KS

High performance DC motor drive screw jack for push and pull forces to 6000N. For applications using current limit control, max. 12 Amps, or for use with external mounted limit switches (preferred). Four lead screw pitch variants are available.



200 KS Actuator

2KSXXXXXXXXXXNNN24

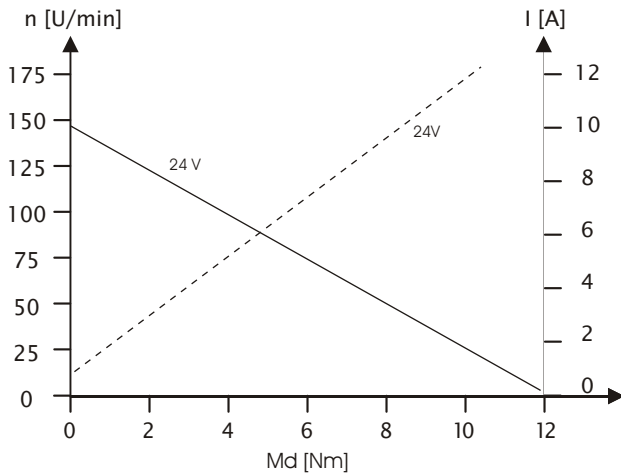


Actuator	200 KD
Duty rating	10% (S3)
Insulation class	E
Protection rating	IP43 (opt. IP 54)
Weight (w ithout piston) kg	2,2 kg
Cable connection	Tab 6,3 x 0,8
Voltage [V]	24.....48
Current [A]	2.....12
Nominal rating [W]	50.....150
Maximum power [W]	300
Gear ratio	1 : 20,25
Pulse Transmitter	2 Channel Hall Sensor Encoder function optional

Lifting capacity [N] 24V	Tr16 x 2	6000
	Tr16 x 3.6	6000
	Tr16 x 4	5400
Linear Speed [mm/s] 24V	Tr16 x 8 *	2700
	Tr16 x 2	6,8
	Tr16 x 3,6	12,3
	Tr16 x 4	13,6
	Tr16 x 8 *	27,2
* : not self locking		

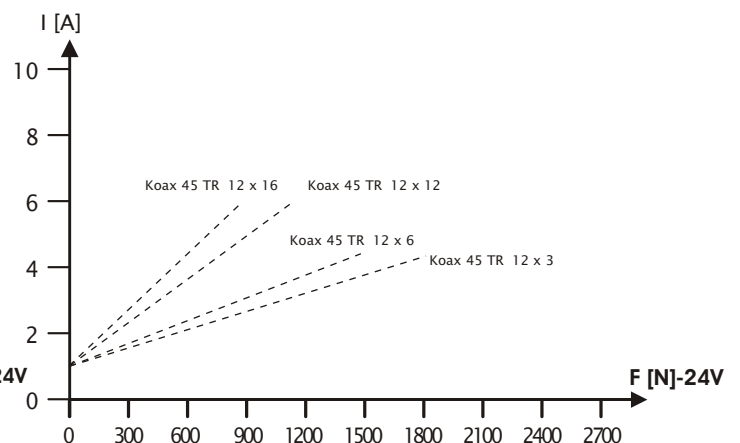
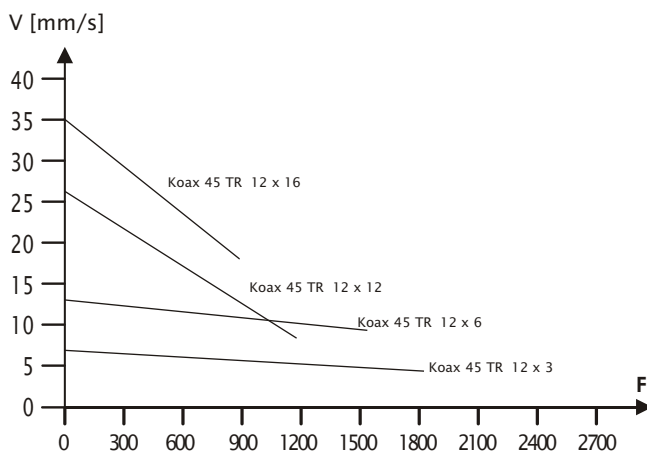
Koax D Actuator

KDDXXXXXXXXXOOO24



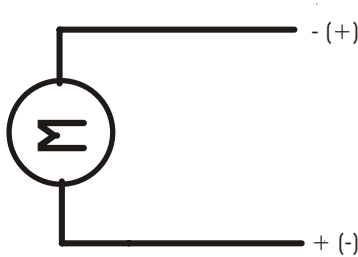
Koax-D

Single stepped, slender and quite DC Motor screw jack (spindle adapter 10 mm) in co-axial geometry with gearing rate 1:35. Different spindle sizes available, integrated end switches. Optional mechanical brake in push direction.

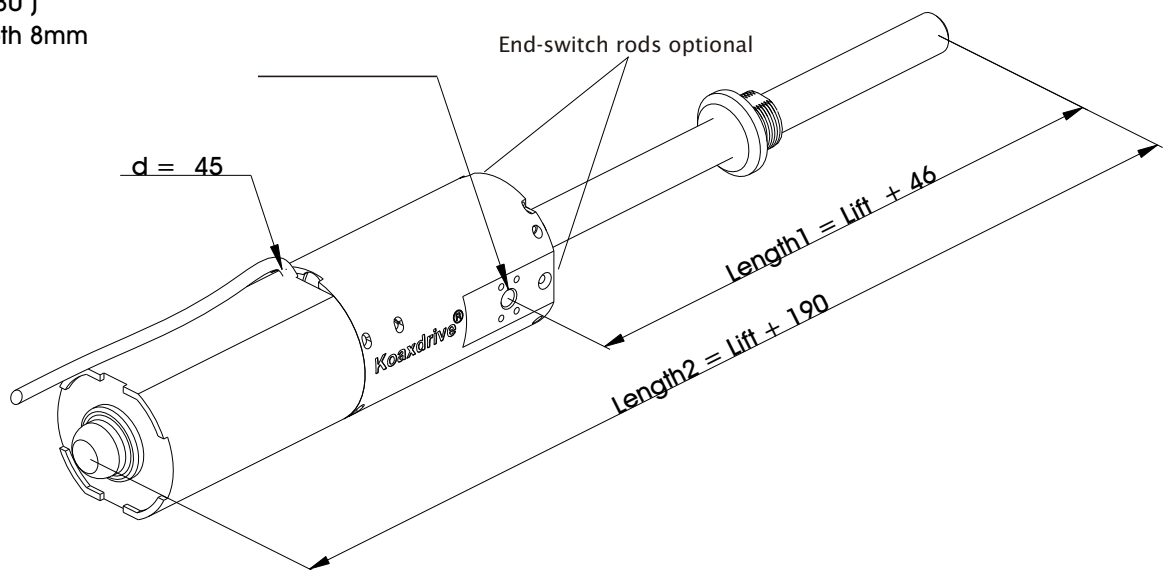


Koax D Actuator

KDDXXXXXXXXXOOO24



Screw M6 (2 x 180°)
 max. Screw depth 8mm
 (M8 optional)



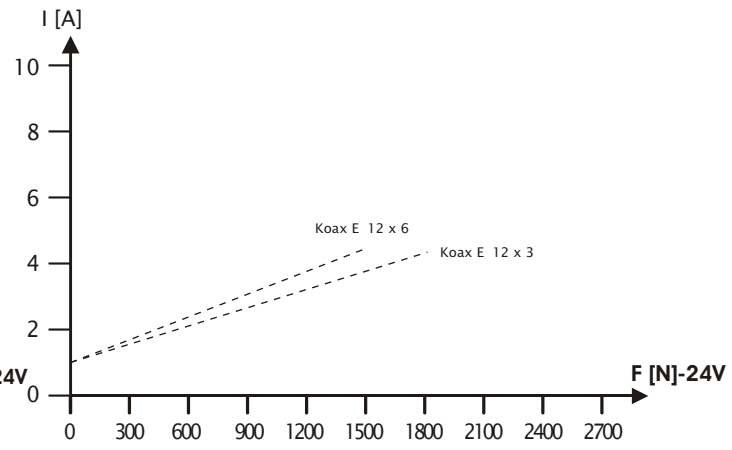
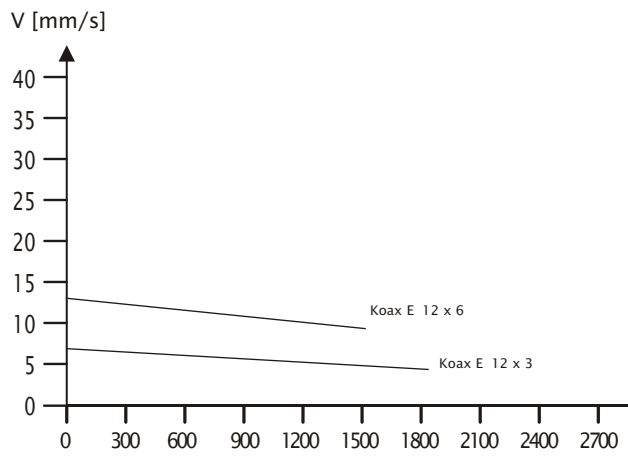
Actuator	Koax-D
Duty rating	10% (S3)
Insulation class	E
Protection rating	IP42
Weight (without spindle) kg	0,9
Cable connection	1,5m; MAS80S
Voltage [V]	12..bis..24
Current [A]	1,5..bis..5,0
Nominal rating [W]	30...80
max. Power [W]	< 200
Gear ratio	1 : 35
Pulse transmitter	Encoder: 2 pulse / rotor revolution
End switches	2 integrated

Lifting capacity [N]	Tr12 x 3	Push: 1800, Pull: 1200
	Tr12 x 6*	Push: 1500, Pull: 1000
	Tr12 x 12*	Push: 1200, Pull: 1000
	Tr12 x 16*	800
Linear speed [mm/s]	Tr12 x 3	8
	Tr12 x 6*	15
	Tr12 x 12*	25
	Tr12 x 16*	35
*:No self-locking, incl.brake in push direction		

Koax E Actuator KDEXXXXXXXXXPPP24

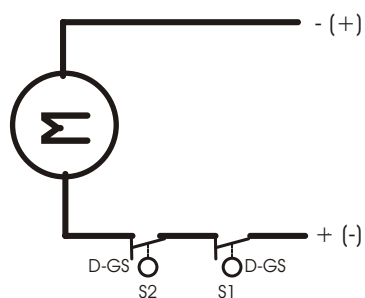


Koax-E
 Slender and quite DC Motor screw jack in co-axial geometry with gearing rate 1:35. Available with three lead screw pitch variants. Different spindle sizes available, integrated end switches. Brake device in push-direction

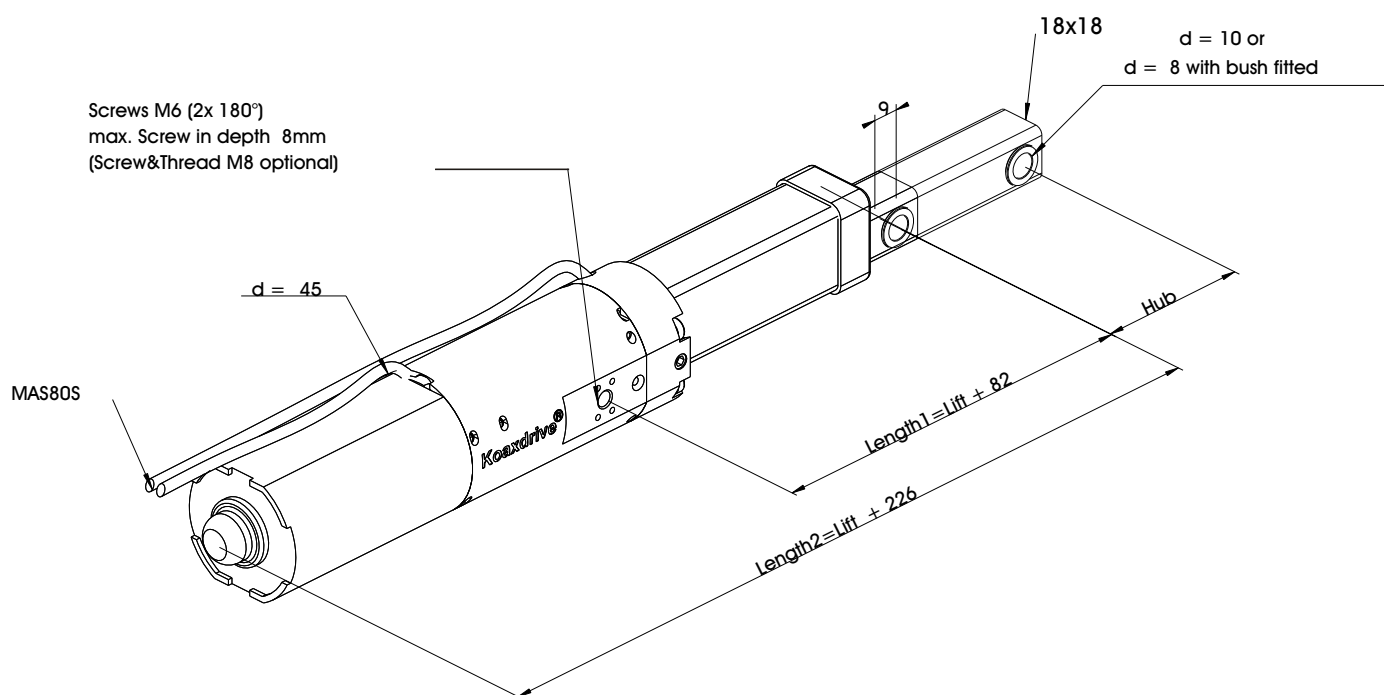


Koax E Actuator

KDEXXXXXXXXXXPPP24



Integral endswitches



Screws M6 (2x 180°)
 max. Screw in depth 8mm
 (Screw&Thread M8 optional)

MAS80S

d = 45

18x18

d = 10 or
 d = 8 with bush fitted

Length1 = Lift + 82

Length2 = Lift + 226

Hub

Actuator	Koax-E
Duty rating	10% (S3)
Insulation class	E
Protection rating	IP42
Weight (without spindle/piston) [kg]	0,9
Cable connection	2,6m; MAS80S
Voltage [V]	12..bis..24
Current[A]	1,5..bis..5,0
Nominal rating [W]	30...80
max. Power [W]	< 200
Gear ratio	1 : 35
Pulse transmitter	Encoder: 2 pulse / rotor revolution
Limit switches	2 integrated

Lifting capacity[N]-24V	Tr12 x 3	Push: 1800, Pull: 1200
	Tr12 x 6*	Push: 1500, Pull: 1000
Linear speed [mm/s]-24V	Tr12 x 3	8
	Tr12 x 6*	15

* No self-locking, incl. brake in push direction

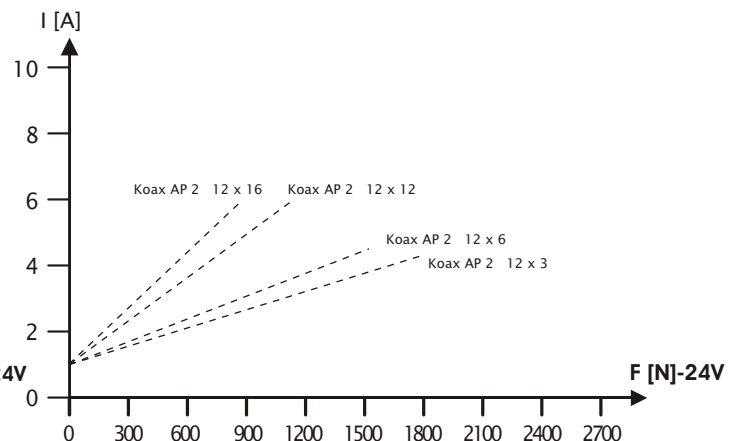
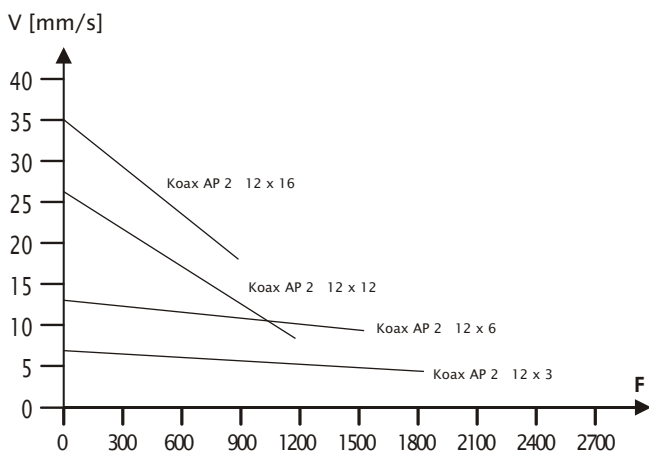
Koax AP2 Actuator

AP2XXXXXXXXXXQQQ24



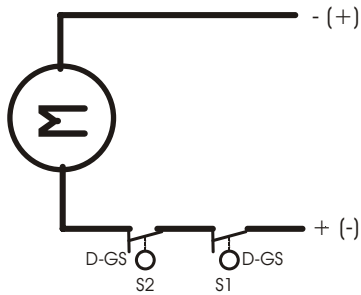
Koax-AP2

Two-stepped, quite DC Motor screw jack in parallell-axial geometry with gearing rate 1:38,5. Different spindle sizes/linear speeds available, integrated end switches. Small overall length, large lifting capacities. Brake device in push-direction.



Koax AP2 Actuator

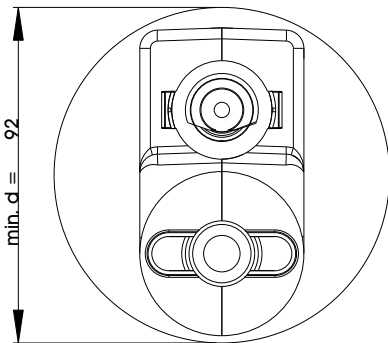
AP2XXXXXXXXXQQQ24



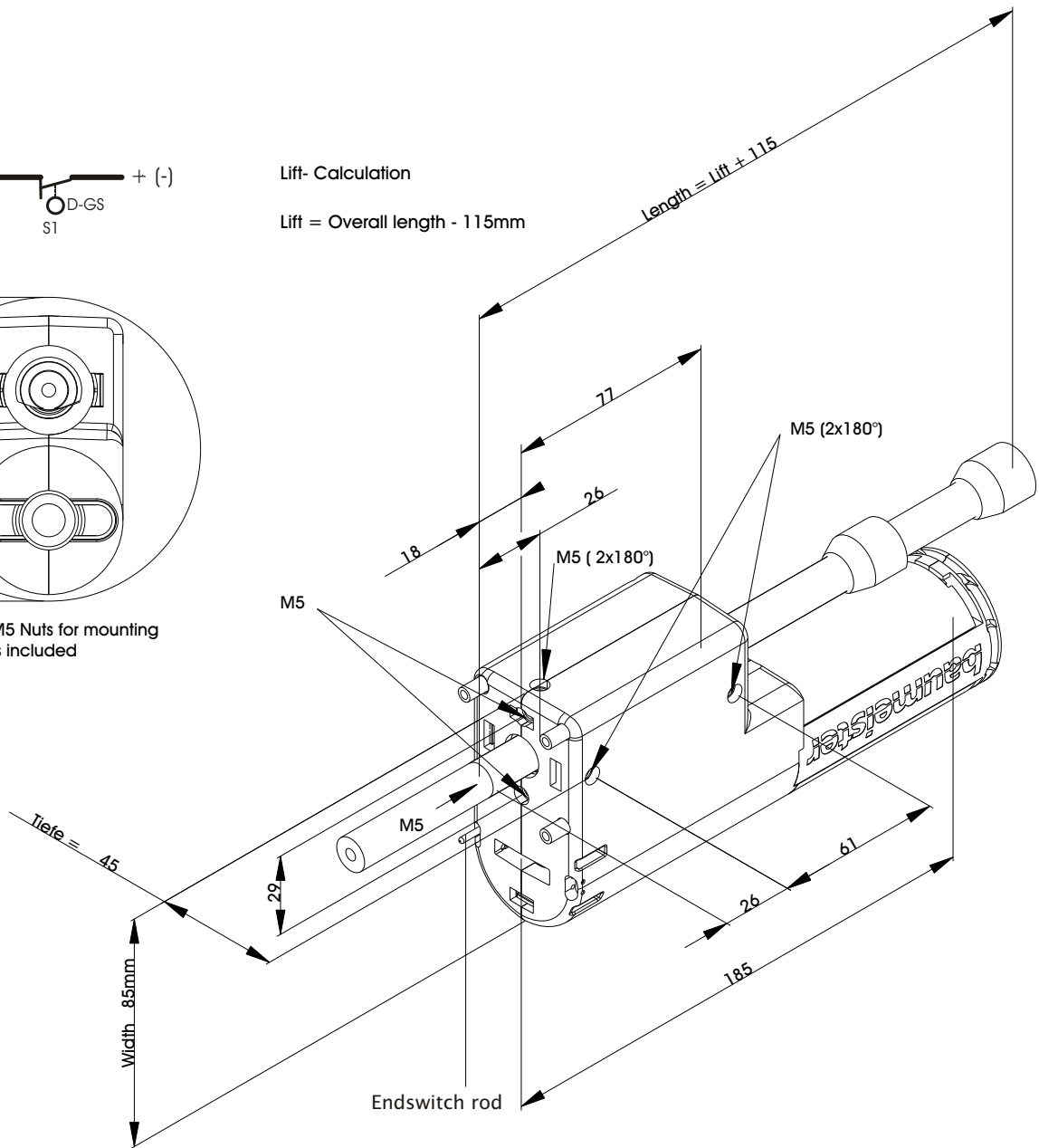
Lift- Calculation

Lift = Overall length - 115mm

$$\text{Length} = \text{Lift} + 115$$



Square M5 Nuts for mounting purposes included



Actuator	Koax-AP2
Duty rating	10% (S3)
Insulation class	E
Protection rating	IP42
Weight (without spindle) [kg]	0,9
Cable connection	1,5m; MAS80S
Voltage [V]	12..bis..24
Current[A]	1,5..bis..5,0
Nominal rating [W]	30....80
max. Power [W]	< 200
Gear ratio	1 : 38,25
Pulse transmitter	Encoder: 2 pulse / rotor revolution
Limit switches	2 integrated

Lifting capacity [N] 24V	Tr12 x 3	1800
	Tr12 x 6*	1500
	Tr12 x 12*	1200
	Tr12 x 16*	800
Linear speed [mm/s] 24V	Tr12 x 3	8
	Tr12 x 6*	15
	Tr12 x 12*	25
	Tr12 x 16*	35

*:No self-locking, incl. Brake in push direction

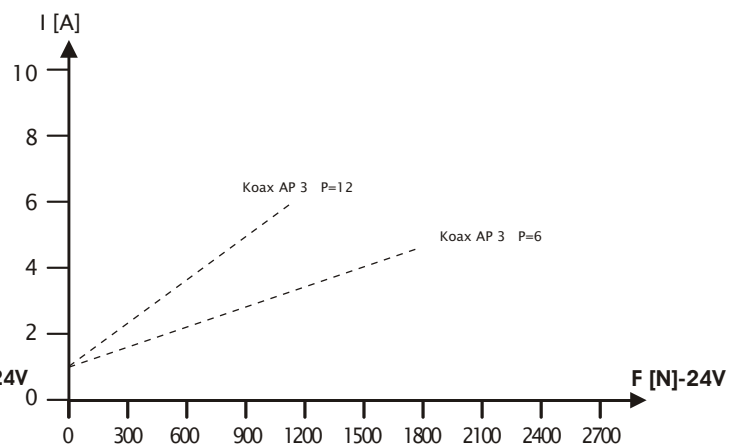
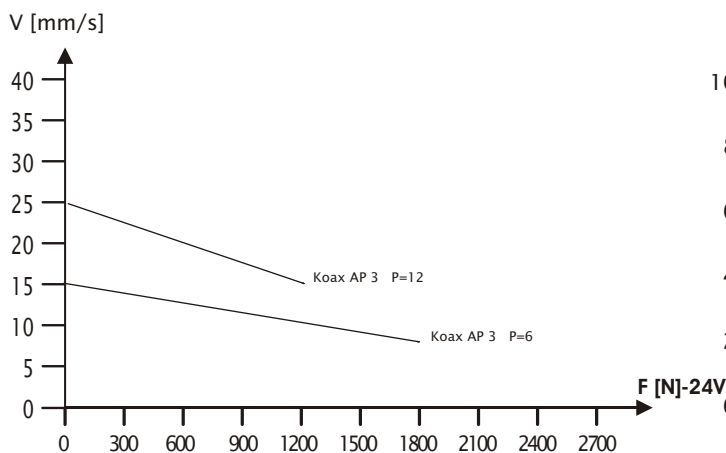
Koax AP3 Actuator

AP3XXXXXXXXXRRR24



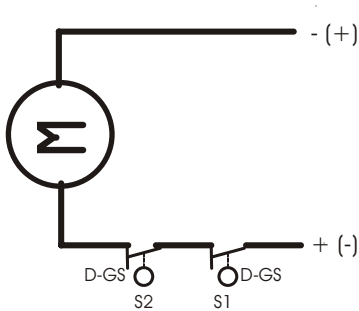
Koax-AP3

Two-stepped, quite DC Motor screw jack in parallell-axial geometry with gearing rate 1:38,25. Additional hollow spindle for controlled, three-stepped applications. Different spindle sizes/linear speeds available, integrated end switches. Small overall length, large lifting capacities. .Brake device in push-direction.



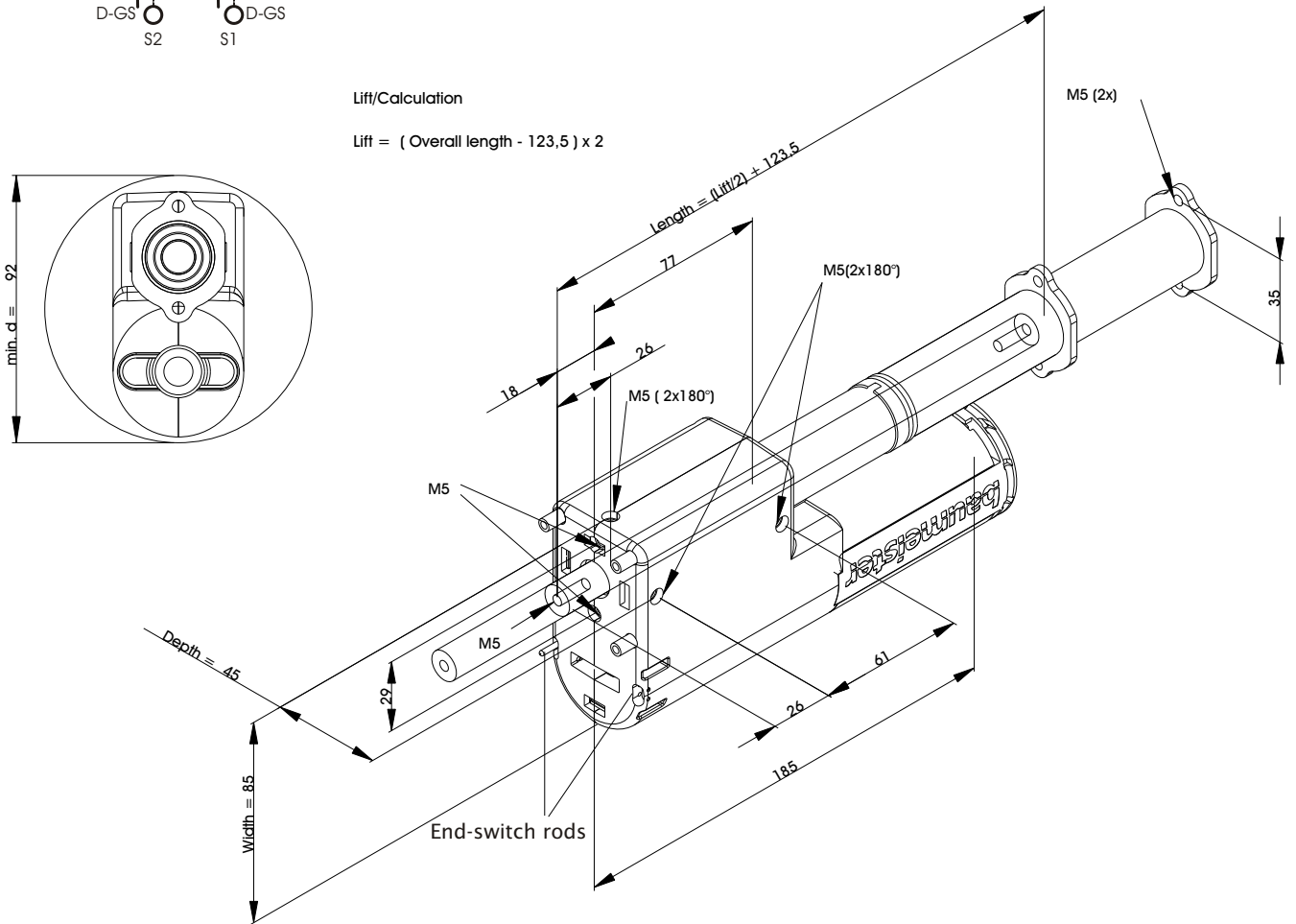
Koax AP3 Actuator

AP3XXXXXXXXRRR24



Lift/Calculation

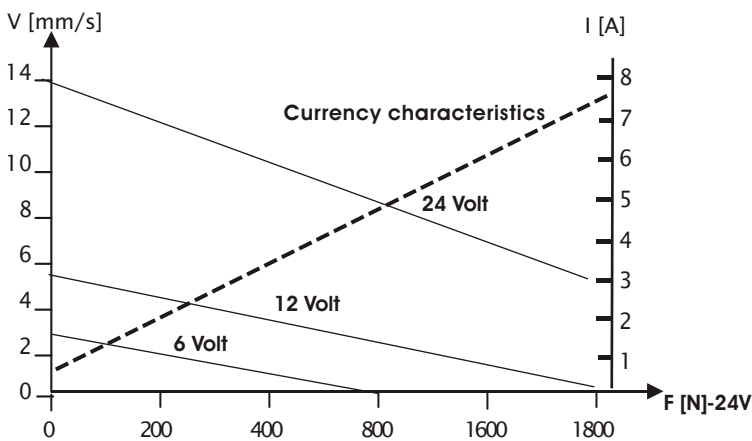
$$\text{Lift} = (\text{Overall length} - 123,5) \times 2$$



Actuator	Koax-AP3
Duty rating	10% (S3)
Insulation class	E
Protection rating	IP42
Weight (without spindles) [kg]	0,9
Cable connection	1,5m; MAS80S
Voltage [V]	12..bis..24
Current [A]	1,5..bis..5,0
Nominal rating [W]	30....80
max. Power [W]	< 200
Gear ratio	1 : 38,25
Pulse transmitter	Encoder: 2 pulse / rotor revolution
Limit switches	2 integrated

Lifting capacity [N]-24V	Tr10 x 6	1800
	Tr10 x 12*	1200
Linear speed [mm/s]-24V	Tr10 x 6	max. 15
	Tr10 x 12*	max. 25
*:No self-locking, incl. Brake in push direction		

S 37 Type 1 Actuator S37BXXXXXXXXVV12



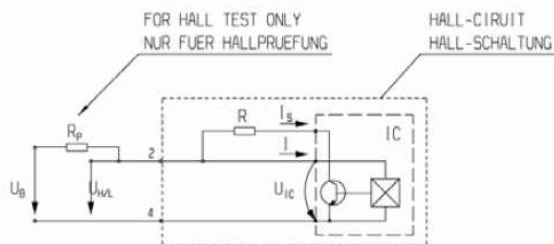
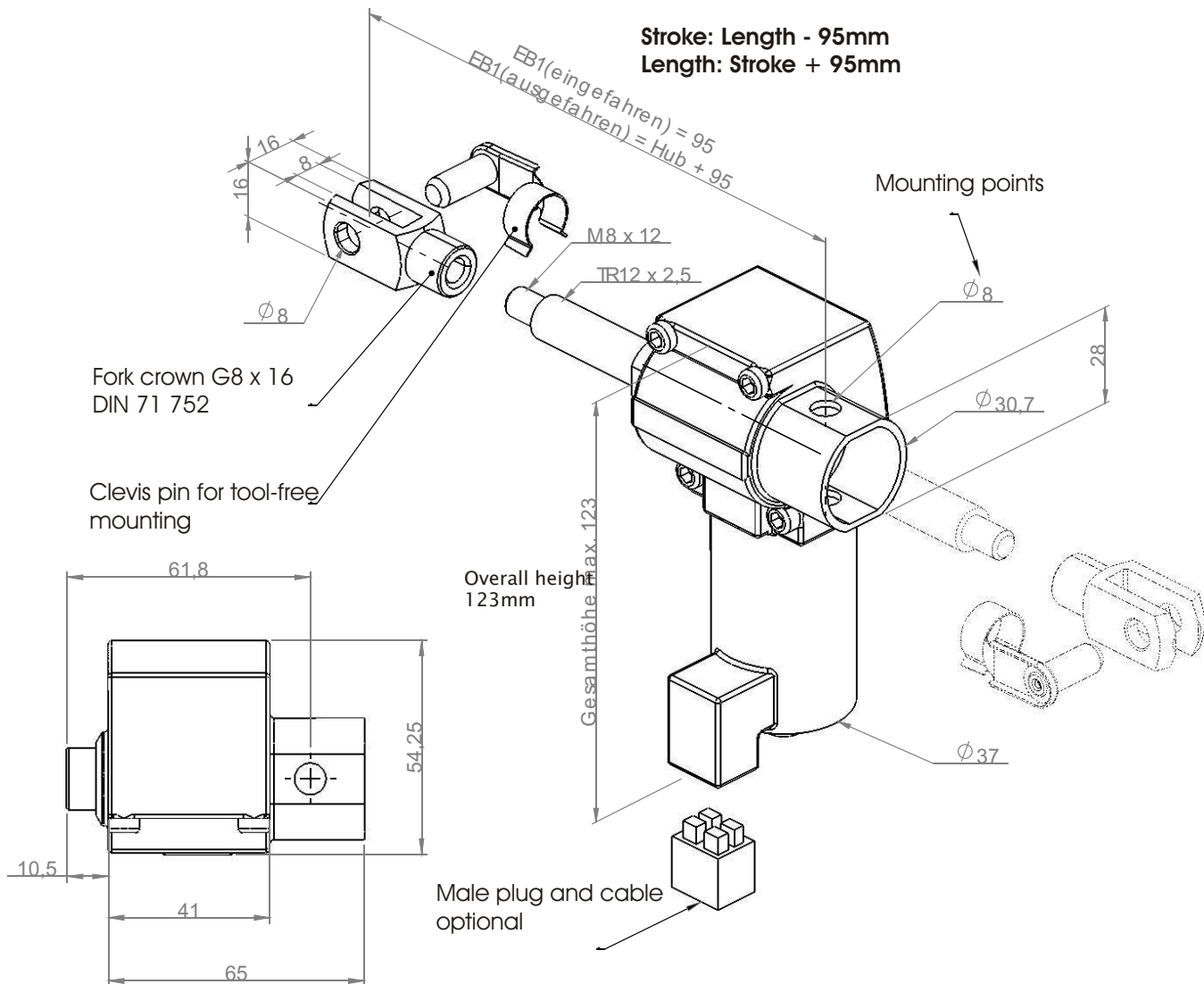
S37 Type 1

DC linear actuator with worm gear drive, screw jack with different spindle adapters. Suitable for current limiting control max. 6 A or external stop-switch.

- Current limitation possible through:
- a: Power supply with low output
 - b: Thermostatic switch
 - c: Electronically adjusted current limitation
 - d: Hall sensor evaluation

S 37 Type 1 Actuator

S37BXXXXXXXXVV12



TEST VOLTAGE:
 PRUEFSPANNUNG: U_B = 13V ±0.2V

PULL-UP-RESISTOR:
 PULL-UP-WIDERSTAND: R = 392Ω ±1%

EXTERNAL TEST RESISTOR:
 EXTERNER PRUEFWIDERSTAND: R_p = 182Ω ±1%

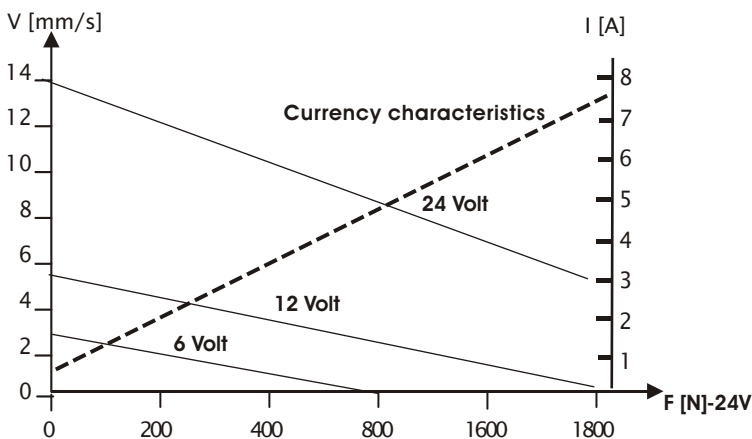
OUTPUT VOLTAGE U_{IC}:
 AUSGANGSPANNUNG U_{IC}:
 7.7V ≤ U_{IC} ≤ 8.8V (OUTPUT ON)
 11.3V ≤ U_{IC} ≤ 12.7V (OUTPUT OFF)

Actuator	S37 Type 1
Duty rating	10% (S3)
Insulation class	E
Protection rating	IP32
Weight (less Spindle)	0,5 kg
Voltage [V]	6 - 24
Current [A]	1,5 - 7,5
Temperatur range (°C)	-40+80
Pulse transmitter	Encoder: 1 Impuls/ rotor revolution
Gear ratio	1 : 30

Actuator	S37Type 1
Lifting capacity (N)	Spindle Tr12 x 2,5 = 1800N
Linear Speed [mm/s]	Spindle Tr12 x 2,5 = 14mm/s

S 37 Type 2 Actuator

S37BXXXXXXXXWWW12



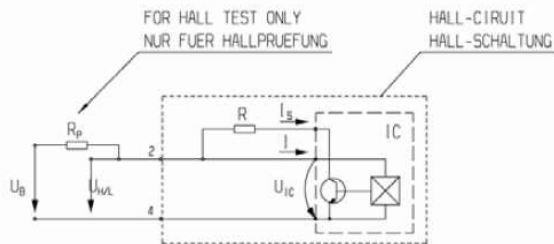
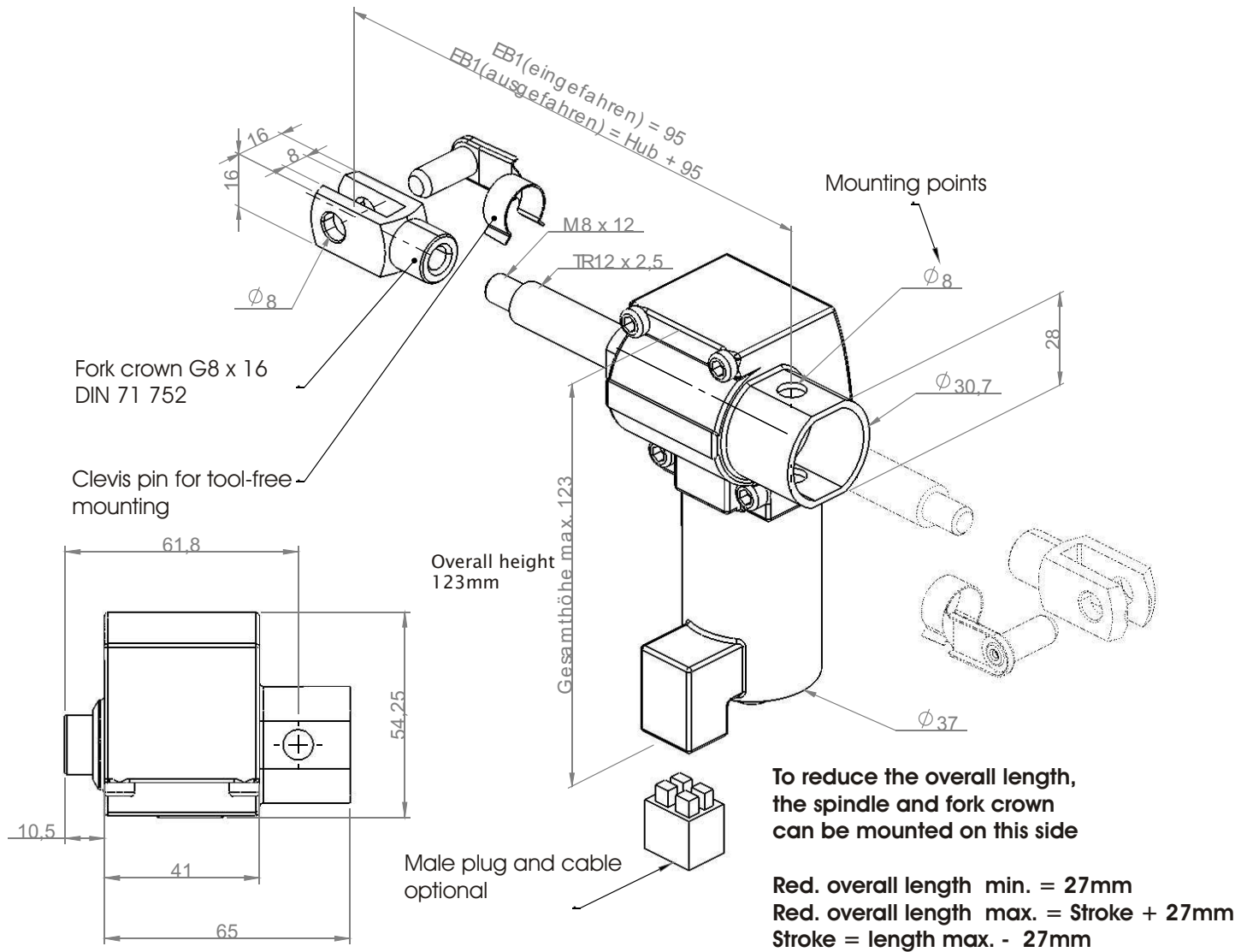
S37

DC linear actuator with worm gear drive, screw jack with different spindle adapters. Suitable for current limiting control max. 6 A or external stop-switch.

- Current limitation possible through:
- a: Power supply with low output
 - b: Thermostatic switch
 - c: Electronically adjusted current limitation
 - d: Hall sensor evaluation

S 37 Type 2 Actuator

S37BXXXXXXXXWWW12



TEST VOLTAGE:
 PRUEFSPANNUNG: $U_b = 13V \pm 0.2V$
 PULL-UP-RESISTOR:
 PULL-UP-WIDERSTAND: $R = 392\Omega \pm 1\%$
 EXTERNAL TEST RESISTOR:
 EXTERNER PRUEFWIDERSTAND: $R_p = 182\Omega \pm 1\%$
 OUTPUT VOLTAGE U_{out} :
 AUSGANGSPANNUNG U_{out} :
 $7.7V \leq U_{out} \leq 8.8V$ (OUTPUT ON)
 $11.3V \leq U_{out} \leq 12.7V$ (OUTPUT OFF)

Actuator	S37
Duty rating	10% (S3)
Insulation class	E
Protection rating	IP32
Weight (less Spindle)	0,5 kg
Voltage [V]	6 - 24
Current [A]	1,5 - 7,5
Temperatur range (°C)	-40+80
Pulse transmitter	Encoder: 1 Impuls/ rotor revolution.
Gear ratio	1 : 30

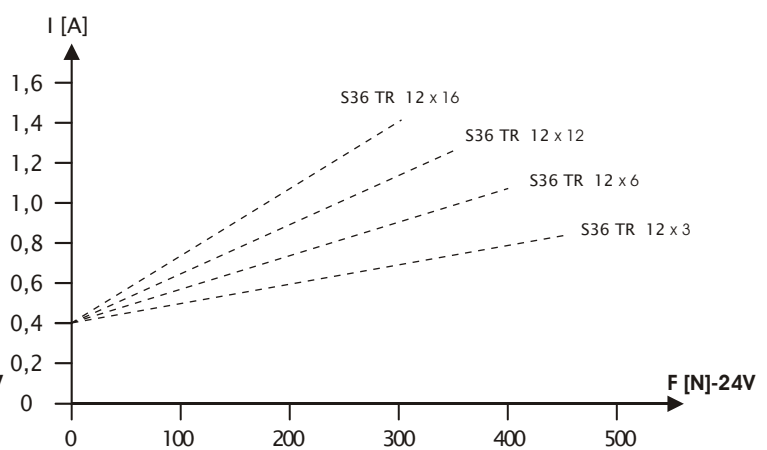
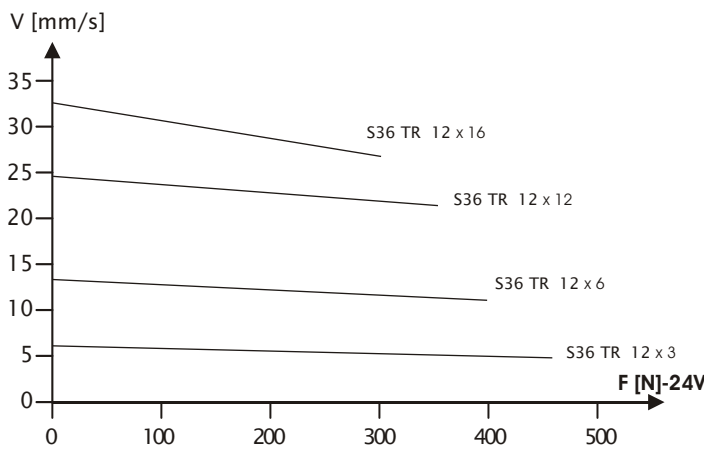
Actuator	S37
Lifting capacity (N)	Spindle Tr12 x 2,5 = 1800N
Linear Speed [mm/s]	Spindle Tr12 x 2,5 = 14mm/s

S36 D Actuator 36DXXXXXXXXXSSS24

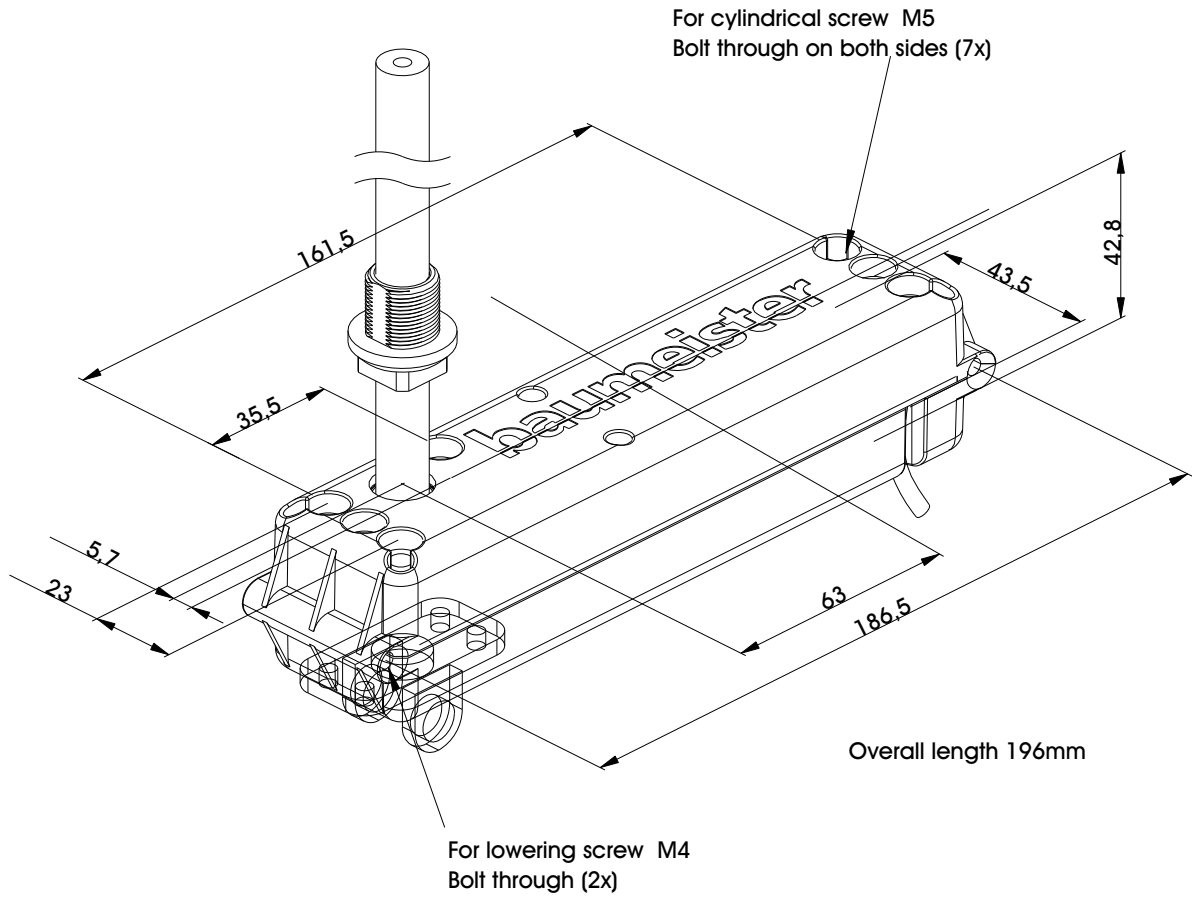


S36-D

DC motor drive screw jack, gear ratio 1 : 47.
 Different lead screw pitches Tr12x3 and Tr12x16 plus spindle nut available.



S36 D Actuator 36DXXXXXXXXXSSS24



Actuator	S36-D
Einschaltdauer	10% (S3)
Insulation class	E
Protection rating	IP32
Cable connection	1,8m; 8-pin plug
Voltage [V]	12 - 24
Current [A]	bis 5,0
Nominal rating [W]	20...60
max. Power [W]	100...150
Gear ratios	1 : 47
Limit switches	None

Lifting capacity [N] 24V	Tr12 x 3	Push: 450, Pull: 450
	Tr12 x 6	Push: 400, Pull: 400
	Tr12 x 12	Push: 350, Pull: 350
	Tr12 x 16	Push: 300, Pull: 300
Linear speed [mm/s] 24V	Tr12 x 3	6
	Tr12 x 6	13
	Tr12 x 12	25
	Tr12 x 16	33
Not self locking		

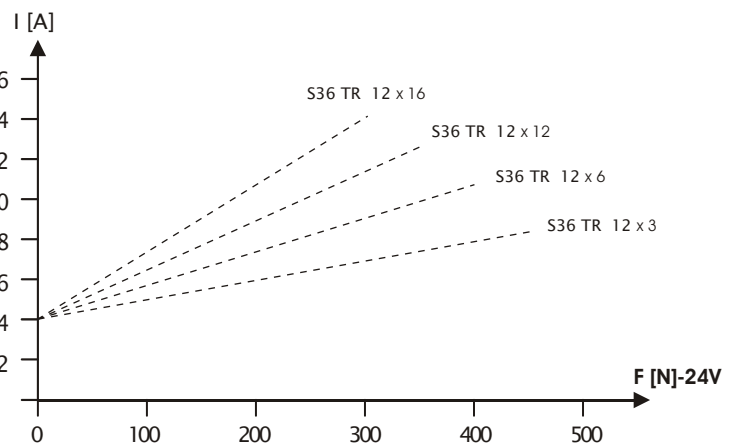
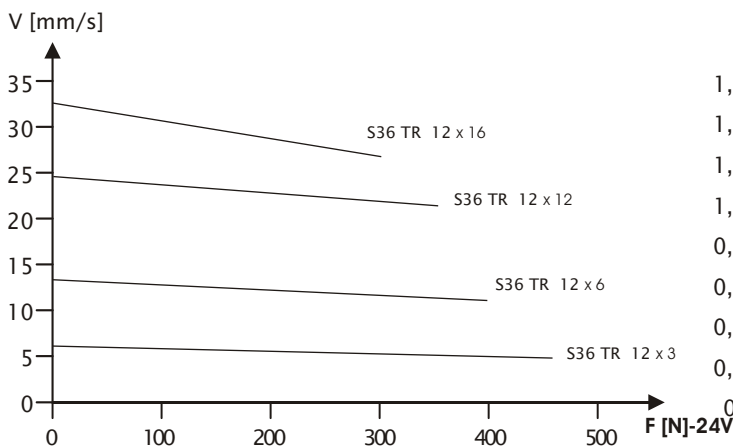
S36 E Actuator

36EXXXXXXXXXTTT24



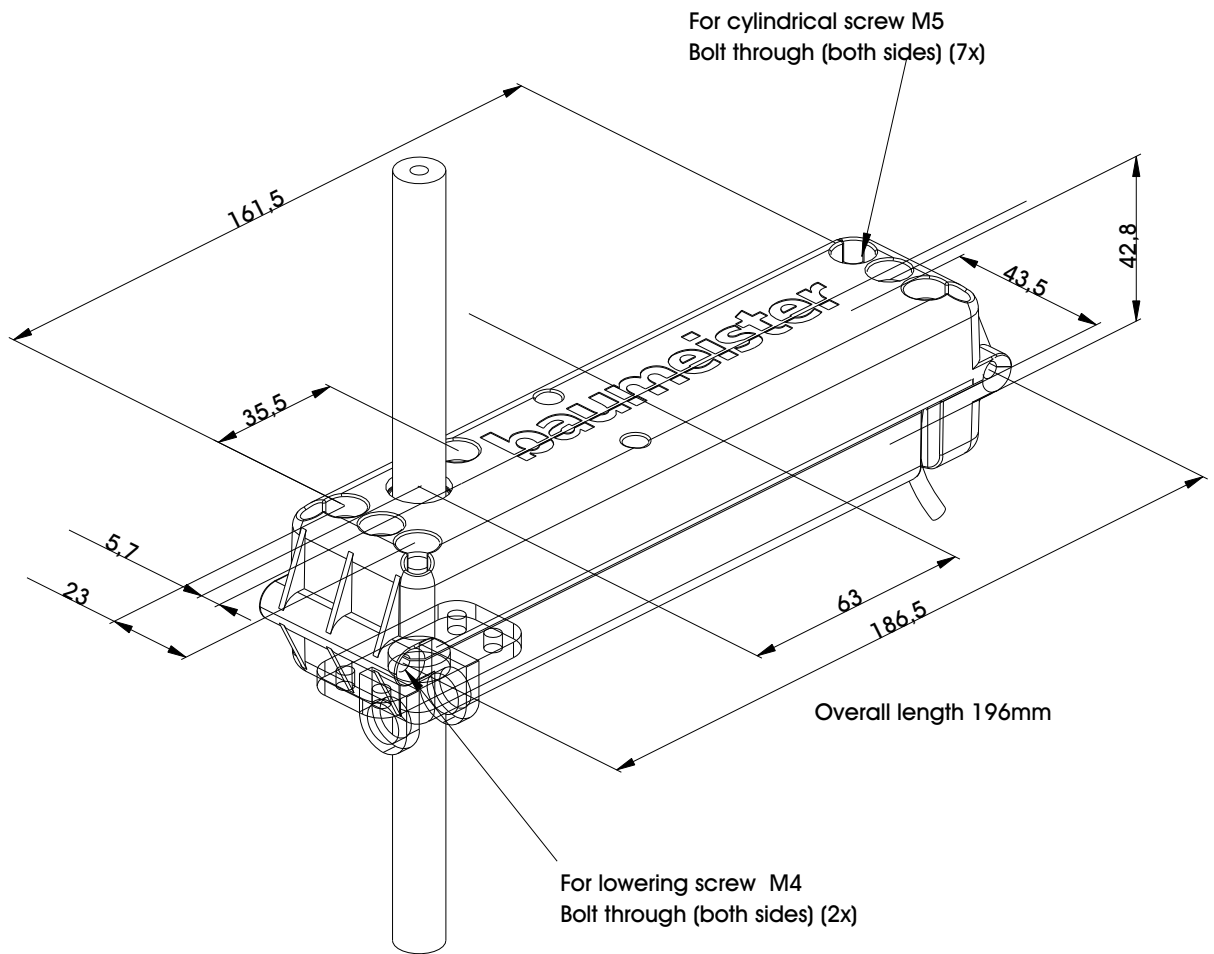
S36-E

DC motor drive screw jack, gear ratio 1 : 47.
 Different run-through lead screw pitches
 Tr1 2x3 and Tr1 2x16 plus spindle nut
 available.



S36 E Actuator

36XXXXXXXXXXTTT24



Actuator	S36-E
Duty rating	10% (S3)
Insulation class	E
Protection rating	IP32
Cable connection	1,8m; 8-pin plug
Voltage[V]	12 - 24
Current [A]	bis 5,0
Nominal rating[W]	20....60
max. Power [W]	100....150
Gear ratio	1 : 47
Limit switches	None

Lifting capacity [N] 24V	Tr12 x 3	Push: 450, Pull: 450
	Tr12 x 6	Push: 400, Pull: 400
	Tr12 x 12	Push: 350, Pull: 350
	Tr12 x 16	Push: 300, Pull: 300
Linear speed [mm/s] 24V	Tr12 x 3	6
	Tr12 x 6	13
	Tr12 x 12	25
	Tr12 x 16	33
Not self locking		

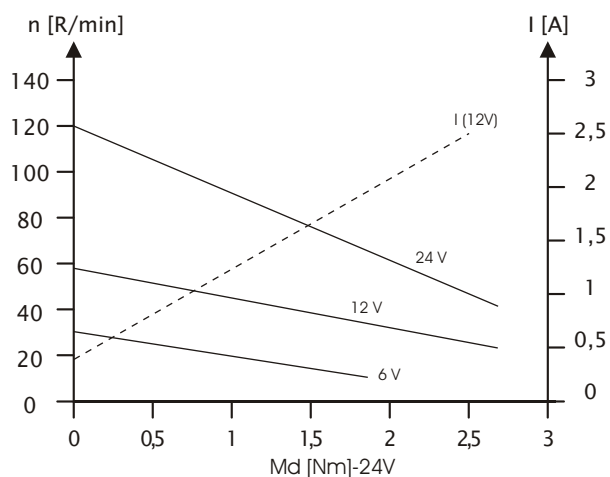
S36 W Actuator

36WXXXXXXXXXXUUU24



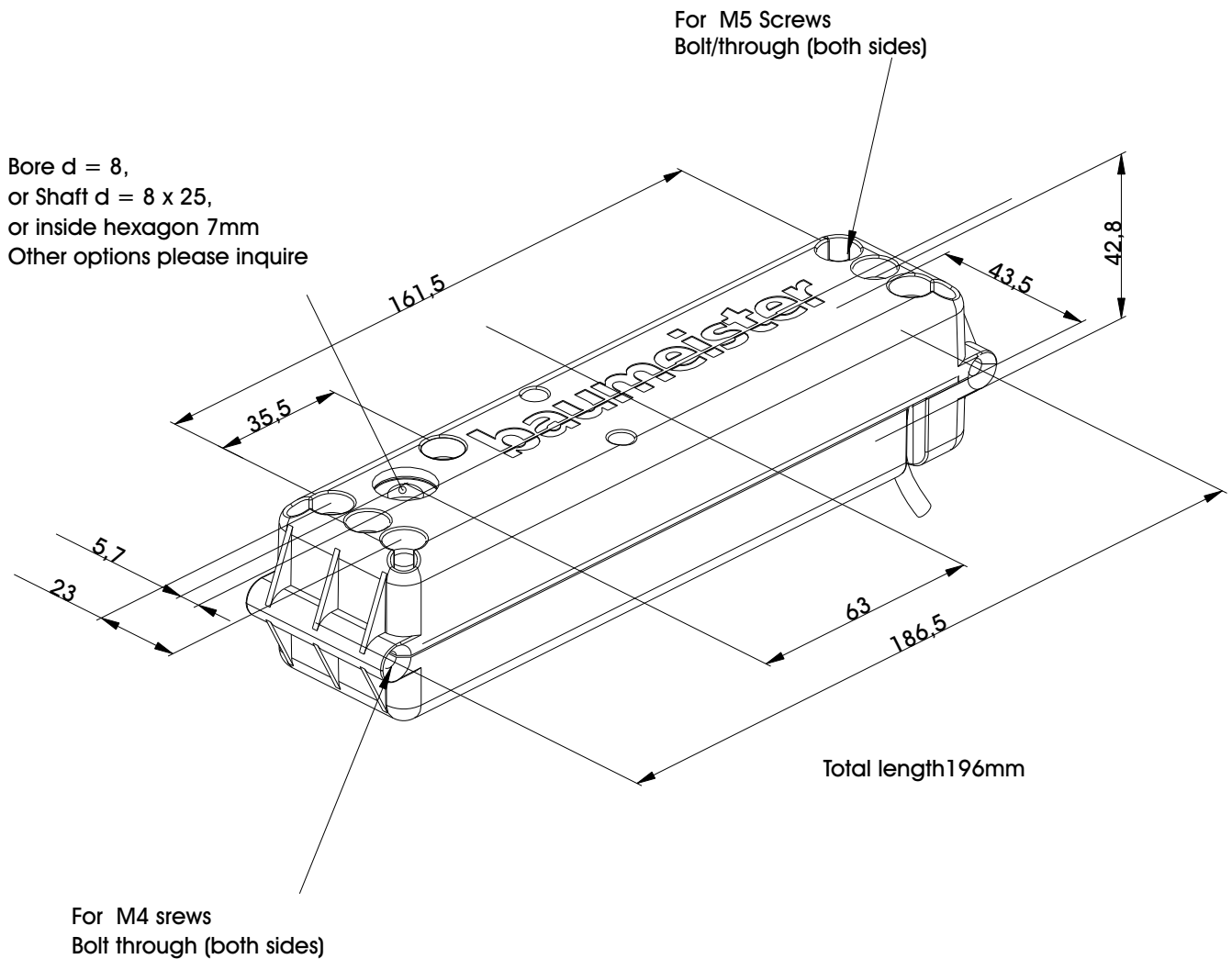
S36-W

DC-Actuator with worm gearing, gear ratio 1 : 47. With shaft \varnothing 8 mm, 25mm length or inside hexagon width 7mm.



S36 W Actuator

36WXXXXXXXXXXUUU24



Actuator	S36-W		
Duty rating	10% (S3)		
Insulation class	E		
Protection rating	IP32		
Cable connection	1,8m; 8-pin plug		
Voltage [V]	12 - 24		
Current [A]	Up to 5,0		
Nominal rating [W]	5....15		
Maximum Power [W]	100	Lifting capacity [N]	See diagram
Gear ratio	1 : 47	Linear Speed [mm/s]	See diagram
Limit switches	None	Self locking	

Accessoires

Mechanics

- **Adapters**
- **Slot nuts & fixing bars**
- **Cross members**
- **Table foot**
- **Mounting plates**

Electronics

- **Controllers**
- **Hand switches**
- **Remote controls**
- **Foot switch**
- **Extension cables**

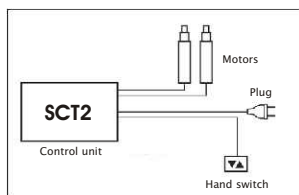
Controllers SCT and accessoires

Controller SCT2-MDT2-EU

for synchronized operation from up to two motors/lifters

Technical datas:

Power supply:.....230V /50Hz
 Output supply:.....340VA
 Power supply electronics:..5VDC
 Power supply hall sensors:..6VDC
 Output voltage:.....27VDC
 Protection rate:.....II (wo. ground conn.)
 Cable length:.....2 m



Size: 257 x 120 x 50 mm
 Weight: 2,4kg



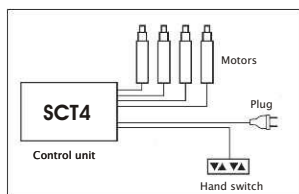
SCT2 For two motors
 Type-Nr. SCT2-XX- T-68-EU

Controller SCT4-MDT2-EU

for synchronized operation from up to four motors/lifters

Technical datas:

Power supply:.....230V /50Hz
 Output supply:.....340VA
 Power supply electronics:..5VDC
 Power supply hall sensors:..6VDC
 Output voltage:.....27VDC
 Protection rate:.....II (wo. ground conn.)
 Cable length:.....2 m



Size: 257 x 120 x 60 mm
 Weight: 3,1kg



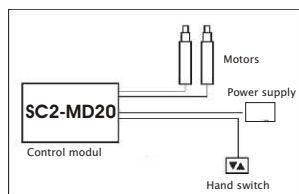
SCT4 For four motors
 Type-Nr. SCT2-XX- T-68-EU

Control modul SC2-MD20

For two motors without intergrated power supply

Technical Datas:

Power supply:.....24 to 38V
 Output supply:.....max. 280W
 Power supply electronics:....5VDC
 Power supply hall sensors:....5VDC
 Output voltage:.....27VDC
 Protection rate:.....III (wo. ground conn.)
 Combinable with power supply VPS/08EU and battery pack VRBP. To operate four motors, two SC2 kann be linked with link cable SC.



Size: 225 x 100 x 40 mm
 Weight: 0,4kg



SC2-MD20
 Type-Nr. SC-2-SK-O-68-24

Power supply VPS/08-EU

For control modul SC2-MD20 and battery charger for battery pack VRBP

Technical datas:

Power supply.....230V +/-6% / 50Hz
 Output power:.....360VA
 Power supply elektronics:.....5VDC +/-5%150mA
 Power supply hall sensors:.....5VDC +/-10%150mA
 Output voltage:.....33VDC
 Protection rate:.....II (wo. ground conn.)
 Cable length:.. 3m
 Weight:.. 1,6kg



VPS/08-EU

Battery pack VRBP

Technical datas:

Integrated charge controller, overload protection, no memory effect, very low self-decharging effect
 Capacity:.....24V/4,5 Ah
 Protection rate:.....III (wo. ground conn.)
 Cable length to power supply:....2m
 Cable length to controller:.....1m
 Weight:.....4,2kg



Battery pack VRBP

Hand switches EL/HSS Baseline

Handswitch - "ergolevel"® - EL01 LD/7

Under desk mounting

Features:

Keys:..... 2 soft touch keys (up/down)

Memory:.....none

Display:.....none

Cable length:.....min. 0,7m, max.2,6m

Useable for:.....LS / LB / Compact



Handswitch - "ergolevel"® " EL03 LD/7

Under desk mounting

Features:

Keys:.....9 soft touch keys M

Memory:.....6-fold

Display:.....yes

Cable length:.....max. 1,3m

Useable for:.....LS / LB / Compact



Handswitch - HSS LD/7

Under desk mounting

Features:

Operation:.....1 Toggle switch (up/down)

Memory:.....none

Display:.....none

Cable length:.....min. 0,7m, max. 2,6m

Useable for:.....LS / LB / Compact



Handswitch - HS-Baseline LD/7

To hook up

Features:

Keys:.....2 soft touch keys (up/down)

Memory:.....none

Display:.....none

Cable length:.....min. 1,5m, max. 2,8m

Useable with:.....LS / LB / SY / Compact



Handswitch - Extension cable ACS-CBL-HS

(Connects control unit and handswitch)

Features:

Cable length:.....1,0m

Useable with:.....LS / LB / Compact, SY and
all types of hand switches



Hand switches LD/Cables

Handswitch - HSX-OD-2-LD

Under desk mounting

Features:

Keys:.....2 Keys (up/down)
Memory:.....none
Display:.....none
Cable length:.....1,65m
Useable with:..... LS / LB / Compact



Handswitch - HSE-MDF-2-LD

Build-in switch

Features:

Keys:.....2 soft touch keys (up/down)
Memory:.....none
Display:.....yes
Cable length:.....1,9m
Useable with:.....LS / LB / Compact



Data communication cable ACS-CBL-WIN

(Connects control unit and PC)

Features:

Cable length:.....1,5m
Useable with:.....LS / LB / Compact



Handswitch - Split cable ACS-CBL-HSY

(Connects control unit and two hand-/footswitches)

Features:

Cable length:.....0,2 m
Useable with:.....LS / LB / Compact and
all types of hand switches



Motor- Extension cable ACS-CBL-MOT-1,5m

(Connects motor and control unit)

Features:

Cable length:.....1,5m
Useable with:.....LS / LB / Compact
and all motor-cables



IRR/RC Remote controls/Foot switches

Infrared remote control - IRR Set-Light

Features:

Keys:.....6 soft touch keys
Memory:.....2-fold
Display:.....none
Motor groups:.....max. 2
Channels:.....2
Contains:.....Remote control and receiver
Useable with:.....Compact / SY



RC-Remote control - RFU/CDs2

Features:

Keys:.....2 soft touch keys
Memory:.....none
Display:.....none
Motor groups:.....1
Channels:.....4
Contains:.....Remote control and receiver
Useable with:.....SCT/Compact/SY
Frequency:.....869,85 MHz
Cable length:.....1.8m



Foot switch - EL-FUSS-LD/7

Features:

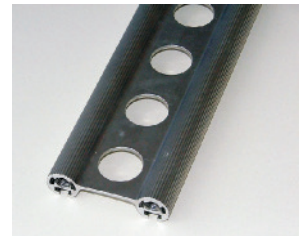
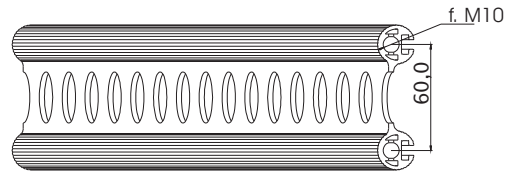
Buttons:.....2 rocker switches
Memory:.....none
Display:.....none
Motor groups:.....max. 1
Cable length:.....min. 0,7m; max. 1,7m
Useable with:.....LS / LB / Compact



Accessoires Fittings/Adapters

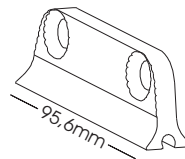
Cross bar VR60

Material: Alloy (AW-6063-T66)
 Surface: powder coating optional
 Design: perforated optional
 Useable: all table legs
 Length: up to 5.000 mm max.
 Art-Nr.: **VR60-xxxx** (Length in mm)



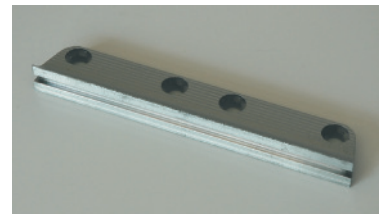
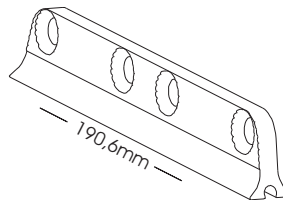
Adapter A32-single for VR 60

Material: Alloy (AW-6063-T66)
 Surface: powder coated RAL 9006
 Design: for single cross bar VR 60
 Useable for: T180/3; T180S; T165AP
 Art-Nr.: **A32-einfach**



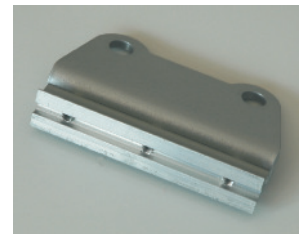
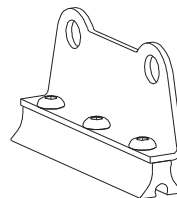
Adapter A32-double for VR 60

Material: Alloy (AW-6063-T66)
 Surface: powder coated RAL 9006
 Design: for double cross bar VR 60
 Useable for: T180/3; T180S; T165AP
 Art-Nr.: **A32-doppelt**



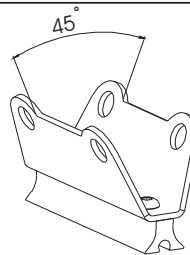
Adapter A32-0

Material: Alloy (AW-6063-T66), steel
 Surface: powder coated RAL 9006
 Design: for single cross bar VR 60, ankle 0°
 Useable for: T180/3; T180S; T165AP
 Art-Nr.: **A32-0**



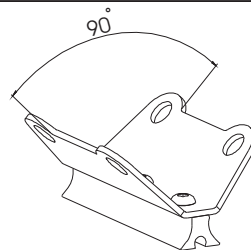
Adapter A32-45

Material: Alloy (AW-6063-T66), steel
 Surface: powder coated RAL 9006
 Design: for single cross bar VR 60, ankle 45°
 Useable for: T180/3; T180S; T165AP
 Art-Nr.: **A32-45**

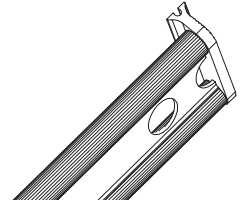
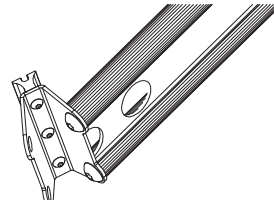
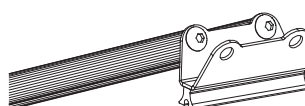
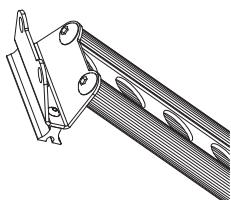


Adapter A32-90

Material: Alloy (AW-6063-T66), steel
 Surface: powder coated RAL 9006
 Design: for single cross bar VR 60, ankle 90°
 Useable for: T180/3; T180S; T165AP
 Art-Nr.: **A32-90**



Mounting samples



Accessoires Fittings/Foot

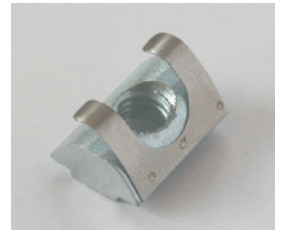
Slot nut- T180/3; T180S; T165AP

Material: Steel
Surface: Zinc plated
Design: with 2 x M6 Thread
Useable for: T180/3, T180S, T165 AP
Length: 80mm
Art-Nr.: **267602**



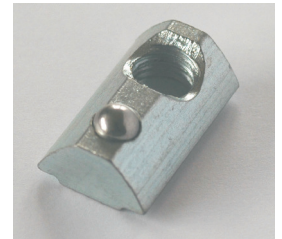
Slot nut- T175/3; T175/2; T175mini

Material: Steel
Surface: Zinc plated
Design: snap-in strike plate M6 thread
Useable for: T175/3; T175/2; T175mini
Art-Nr.: **096086F**



Slot nut- I140MI; I140ST; Hexalift - M6

Material: Steel
Surface: Zinc plated
Design: snap-in with spring loaded ball M6
Usable for: I140MI; I140ST
Art-Nr.: **096026**



Slot nut- I140MI; I140ST; Hexalift - M8

Material: Steel
Surface: Zinc plated
Design: snap-in with spring loaded ball M8
Usable for: I140MI; I140ST
Art-Nr.: **096028**



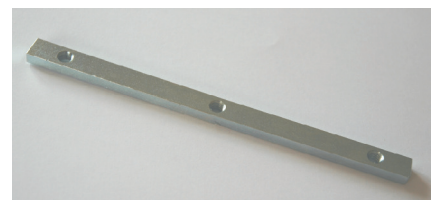
Slot nut - I67; TR126/3; TR126/2; TR126mini

Material: Steel
Surface: Zinc plated
Design: M6 thread
Useable for: I67; TR126/3; TR126/2; TR126mini
Art-Nr.: **13440026-01**



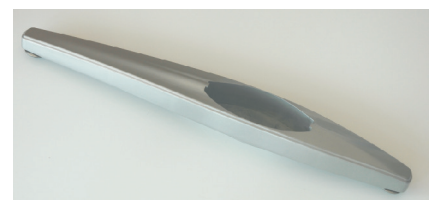
Slot nut bar- I67-Runner

Material: Steel
Surface: Zinc plated
Design: L= 160mm; 3 x M6 thread
Useable for: I67; TR126/3; TR126/2; Tr126mini
Art-Nr.: **28.0.011.00**



Foot T180/3; T180S asymmetrical

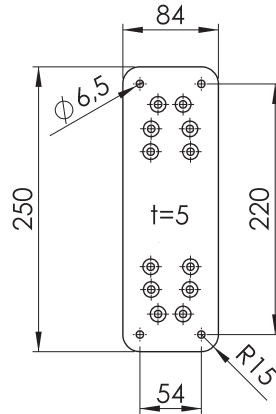
Material: Alloy casting - ENAC-46 00
Surface: Powder coated RAL 9006
Design: L= 764mm; with 2 adjustable sliders
Useable for: T180/3; T180S
Art-Nr.: **24.0.017.00**



Mounting Plates

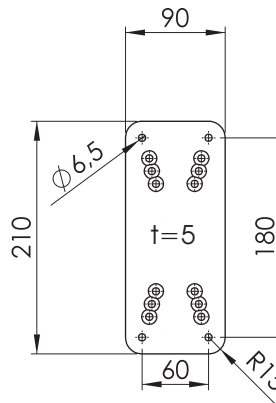
Mounting Plate T180 3in1

Material: Steel
 Surface: Zinc plated
 Useable with: T180/3, T180S
 Art-Nr.: 19.4.050
 For use with any lifter Type T 180 as
 top or bottom fixing plate



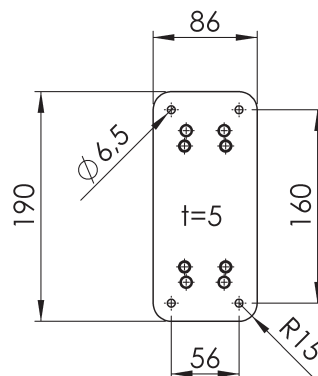
Mounting Plate T175 3in1

Material: Steel
 Surface: Zinc plated
 Useable with: T175/3; T175/2; T175mini
 Art-Nr.: 31.0.013
 For use with any lifter Type T 175 as
 top or bottom fixing plate



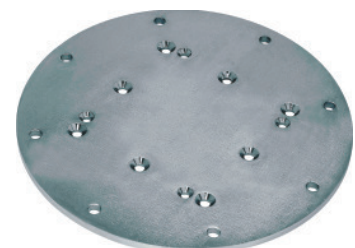
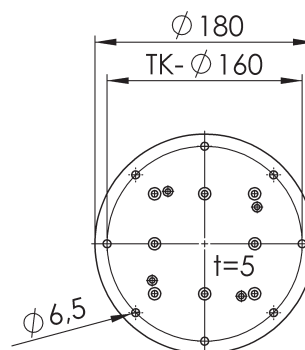
Mounting Plate T 165 AP 2in1

Material: Steel
 Surface: Zinc plated
 Useable with: T 165 AP
 Art-Nr.: 17.3.002
 For use with any lifter Type T 165 as
 top or bottom fixing plate



Mounting Plate TR 126 3in1

Material: Steel
 Surface: Zinc plated
 Useable with: TR 126/2; TR126/3; TR126/3mini
 Art-Nr.: 34.1.003
 For use with any lifter Type T 126 as
 top or bottom fixing plate

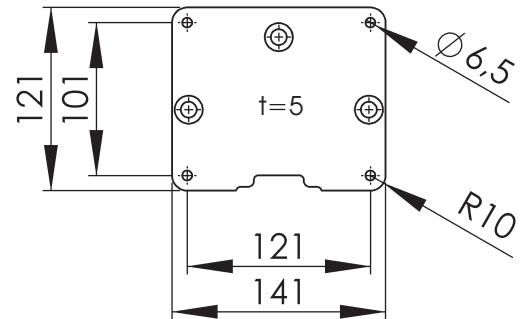


Mounting Plates

Mounting Plate I 140

Material: Steel
Surface: Zinc plated
Useable with: I 140 ST; I 140 MI
Art-Nr.: 23.0.035

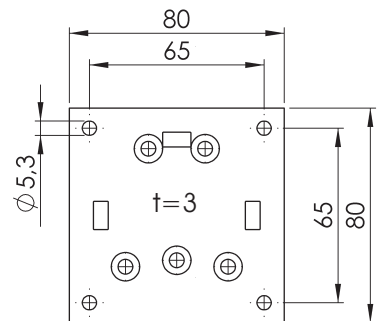
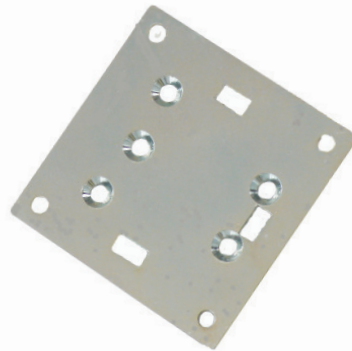
For use with any lifter Type I 140 as top or bottom fixing plate



Mounting Plate I 67

Material: Steel
Surface: Zinc plated
Useable with: I 67 Koax; I 67 DrHm
Art-Nr.: 28.0.007

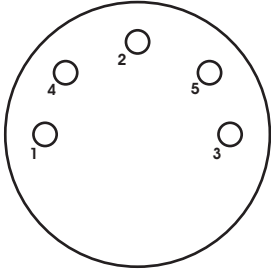
For use with any lifter Type I 67 as top or bottom fixing plate



Plug connection

Handswitches

Soldered side plug



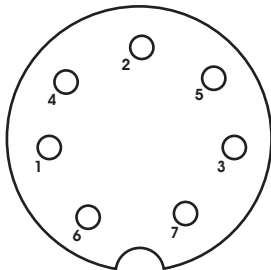
- 1 = common + 24 V (white)
- 2 = up Motor 1 (brown)
- 4 = down Motor 1 (yellow)
- 3 = up Motor 2 (green)
- 5 = down Motor 2 (grey)

The colour codes refer to Baumeister cable connection. This plug is used on all Sy1 control boxes.

MAS50S DIN 41524

Handswitches

Soldered side plug



Code	HS 1	HS 2	HS 3	HS 4
up	1	0	0	0
down	0	1	0	0
Memo	0	1	1	0
Pos 1	0	0	1	0
Pos 2	0	0	0	1
Pos 3	0	1	0	1
Pos 4	0	1	1	0
Pos 5	0	1	0	1
Pos 6	0	1	1	1

connection

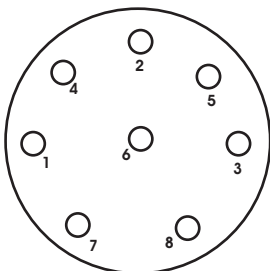
- 1 = HS_Ser out
- 2 = HS 3
- 3 = HS 1
- 4 = HS 4
- 5 = HS 2
- 6 = HS_+ 5 V = 1
- 7 = HS_Earth = 0

MAS70S_LD DIN 45329

This plug is used on Control Boxes Type Logic S, Logic B, Compact

Motor Cable

Soldered side plug

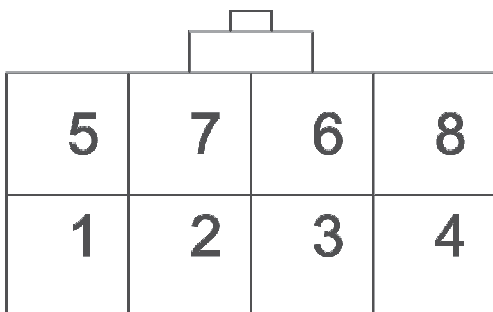


- 1 u. 7 = Motor + (-), (yellow) plus means up
- 2 u. 4 = Motor - (+), (grey) minus means up
- 5 = Hall Transmitter earth (brown)
- 3 = Hall Transmitter + 5 V (white)
- 8 = Hall Transmitter 1 open collector output (green)
- 5 = Hall Transmitter 2 open collector output (blue)

The colour codes refer to Baumeister-cable connection. Hall Transmitter 1 und 2 are optional

MAS80S DIN 41524

Frontview Female Connector



- 1=yellow Motor (plus means up)
- 2=N.c.
- 3=white Hallsensor + 5VDC
- 4=green Hallsignal 1
- 5=blue Hallsignal 2
- 6=N.c.
- 7=brown Hallsensor GND
- 8=grey Motor

Molex type connector